



The **TS Series** features SMA connectors and a frequency range of DC to 18 GHz.

The **TSE Series** also features SMA connectors and a frequency range of DC to 26.5 GHz.

Both series are available with fail-safe, latching self cut-off, or pulse latching functions.

Weight (max.):	5.5 oz
RF Impedance:	50 ohms nominal
Operating Temperature:	-25°C to +65°C ambient
Operating Life:	1,000,000 cycles min.
Switching Sequence:	Break Before Make

SPECIFICATIONS

Frequency	VSWR (max.)	Insertion Loss (dB max.)	Isolation (dB min.)
DC-4 GHz	1.20	0.20	80
4-8 GHz	1.30	0.30	75
8-12 GHz	1.40	0.40	70
12-18 GHz	1.50	0.50	60
18-26.5 GHz	1.50	0.50	60

Actuator Current (typical)	12Vdc	15 Vdc	24 Vdc	28Vdc
Failsafe	375mA	300mA	180mA	170mA
Latching	335mA	270mA	180mA	165mA

* If reduced coil current is required, please contact Factory.

Position	NO	NC	Latching
Switching Time - mSec (Max)	15	35	20

AVAILABLE OPTIONS

OPTION 3 VOLTAGE	OPTION 4 ACTUATOR		OPTION 5 POLARITY
1 - 12 Vdc	Failsafe		1 - Negative 2 - Positive 3 - Not Applicable
2 - 28 Vdc	A - Standard	C - Indicators	
3 - 15 Vdc	B - Diodes	D - Diodes, Indicators	OPTION 6 TERMINALS
5 - Other	Latching Self Cut-Off		
6 - 24 Vdc	Low Input Drivers with:		1 - Solder Terminals
7 - 5 Vdc	High Input Drivers with:		3 - Other (Specify)
	E - Diodes	EH - Diodes	4 - Sub M iniature D-Shell Connector
	F - Diodes, Indicators	FH - Diodes, Indicators	
	G - Diodes	H - Diodes, Indicators	
	Low Input Drivers with:		
	High Input Drivers with:		
	J - Diodes	JH - Diodes	
	K - Diodes, Indicators	KH - Diodes, Indicators	

ADDITIONAL OPTIONS

OPTION 7 STANDARD OPTIONS
1 - Moisture Seal
2 - High Temperature (125° C)
3 - Moisture Seal & High Temperature (125° C)
OPTION 8 BRACKETS
C - See Page 145

Please Note: Schematics may include optional Indicator Contacts. If your Actuator Option does not include Indicator Contacts, omit them from the schematic.

For "Additional Options" please contact Factory for part number

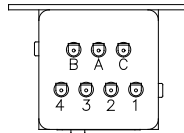
TS/TSE

Option 2 Series	Option 3 Voltage	Option 4 Actuator	Option 5 Polarity	Option 6 Terminals
---------------------------	----------------------------	-----------------------------	-----------------------------	------------------------------

DC TERMINAL FUNCTIONS

PIN	FAILSAFE			LATCHING		
	A, C	B, D	E, EH, F, FH	G, H	J, JH, K, KH	T, U, V, W
1	N/A	N/A	N/A	C+/-	C RTN	C+/-
2	AV	AV+	C RTN	N/A	+ V SW	N/A
3	AV	AV-	+V SW	AV 2-/+	L 2	PV 2-/+
4	N/A	N/A	L	AV 1-/+	L 1	PV 1-/+

TOP VIEW



Actual markings will reflect terminal functions, not letter or number designation as shown above.

SCHEMATICS

Pages 132-137						
	S17	S18	S19	S20	S21	S22, S23

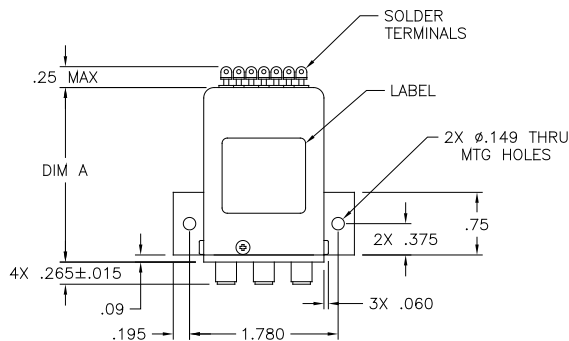
INDICATORS

PIN	A	B	C
	COM	1 or N/C	2 or N/O

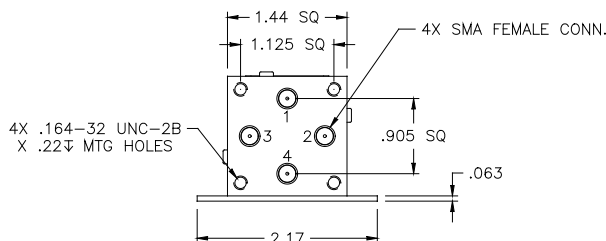
See Page 158 for Legend of Terms and Tolerances

See Page 138 for Logic & BCD Truth Table

FRONT VIEW



BOTTOM VIEW



AVAILABLE OPTIONS*	OUTLINE DRAWING DIMENSION "A"
A, B, C, D	1.87
E, EH, F, FH	2.09
J, JH, K, KH	2.09
G, H, V, W	1.87
T, U	1.46

* Consult factory for Dimension "A" when multi pin connector is desired.

RF STATUS

RF	FAILSAFE	LATCHING
1-3, 2-4	DE-ENERGIZED	POSITION 1
1-2, 3-4	ENERGIZED	POSITION 2