

The **TN Series** features N connectors and a frequency range of DC to 12.4 GHz.

The **TNH Series** features High Power N connectors and a frequency range of DC to 12.4 GHz.

Both series are available with fail-safe, latching self cut-off, or pulse latching functions.

Weight (max.):	14 oz
RF Impedance:	50 ohms nominal
Operating Temperature:	-25°C to +65°C ambient
Operating Life:	1,000,000 cycles min.
Switching Sequence:	Break Before Make

SPECIFICATIONS

Frequency	VSWR (max.)	Insertion Loss (dB max.)	Isolation (dB min.)
DC-4 GHz	1.20	0.20	80
4-8 GHz	1.30	0.30	70
8-12.4 GHz	1.45	0.40	60

Actuator Current (typical)	12Vdc	15 Vdc	24 Vdc	28Vdc
Failsafe	540mA	430mA	270mA	260mA
Latching	320mA	260mA	175mA	135mA

* If reduced coil current is required, please contact Factory.

Position	NO	NC	Latching
Switching Time - mSec (Max)	20	50	20

AVAILABLE OPTIONS

OPTION 3 VOLTAGE	OPTION 4 ACTUATOR		OPTION 5 POLARITY
1 - 12 Vdc	Failsafe		1 - Negative
2 - 28 Vdc	A - Standard	C - Indicators	2 - Positive
3 - 15 Vdc	B - Diodes	D - Diodes, Indicators	3 - Not Applicable
5 - Other			OPTION 6 TERMINALS
6 - 24 Vdc	<u>Low Input Drivers with:</u>		1 - Solder
7 - 5 Vdc	<u>High Input Drivers with:</u>		2 - Circular Connector
	E - Diodes	EH - Diodes	3 - Other (Specify)
	F - Diodes, Indicators	FH - Diodes, Indicators	4 - Sub M iniature
	Latching Self Cut-Off		D-Shell
	G - Diodes	H - Diodes, Indicators	Connector
	<u>Low Input Drivers with:</u>		
	J - Diodes	JH - Diodes	
	K - Diodes, Indicators	KH - Diodes, Indicators	

ADDITIONAL OPTIONS

OPTION 7 STANDARD OPTIONS
1 - Moisture Seal
2 - High Temperature (125° C)
3 - Moisture Seal & High Temperature (125° C)
OPTION 8 BRACKETS
A - See Page 145
B - See Page 145
G - See Page 147

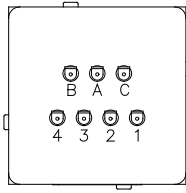
Schematics may include optional Indicator Contacts. If your Actuator Option does not include Indicator Contacts, omit them from the schematic.

For "Additional Options" please contact Factory for part number

TN/TNH

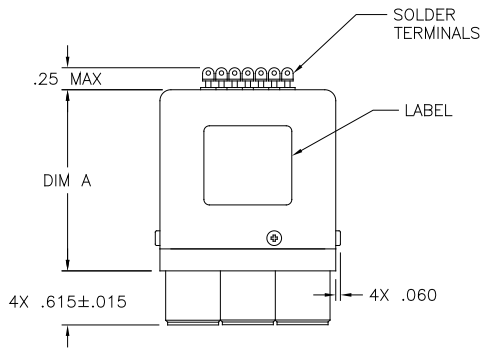
- | | | | | |
|--------------------|---------------------|----------------------|----------------------|-----------------------|
| Option 2
Series | Option 3
Voltage | Option 4
Actuator | Option 5
Polarity | Option 6
Terminals |
|--------------------|---------------------|----------------------|----------------------|-----------------------|

TOP VIEW

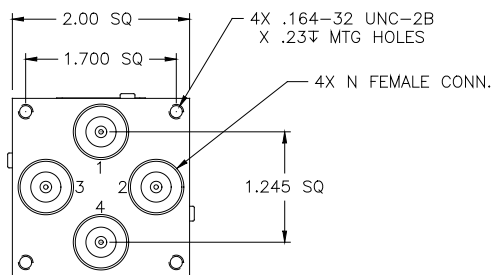


Actual markings will reflect terminal functions, not letter or number designation as shown above.

FRONT VIEW



BOTTOM VIEW



DC TERMINAL FUNCTIONS

PIN	FAILSAFE			LATCHING		
	A, C	B, D	E, EH, F, FH	G, H	J, JH, K, KH	T, U, V, W
1	N/A	N/A	N/A	C+/-	C RTN	C+/-
2	AV	AV+	C RTN	N/A	+ VSW	N/A
3	AV	AV-	+V SW	AV 2-/+	L 2	PV 2-/+
4	N/A	N/A	L	AV 1-/+	L 1	PV 1-/+

SCHEMATICS

Pages 132-137						
	S17	S18	S19	S20	S21	S22, S23

INDICATORS

PIN	A	B	C
	COM	1 or N/C	2 or N/O

See Page 158 for Legend of Terms and Tolerances

See Page 138 for Logic & BCD Truth Table

AVAILABLE OPTIONS*	OUTLINE DRAWING DIMENSION "A"
A, B, C, D	2.06
E, F	2.06
J, K	2.06
G, H, V, W	2.06
T, U	2.06

* Consult factory for Dimension "A" when multi pin connector is desired.

RF STATUS

RF	FAILSAFE	LATCHING
1-3, 2-4	DE-ENERGIZED	POSITION 1
1-2, 3-4	ENERGIZED	POSITION 2