

ST SERIES
SP3T to SP6T
MULTI POSITION SWITCH
DC-8 GHz ◆ TNC

Click Here to Request Quote



The **ST Series** features TNC connectors and a frequency range of DC to 8 GHz.

This series is available with failsafe or normally open functions. Please contact Factory for latching and pulse latching design availability.

Weight (max.):	11.5 oz
RF Impedance:	50 ohms nominal
Operating Temperature:	-25°C to +65°C ambient
Operating Life:	1,000,000 cycles min.
Switching Sequence:	Break Before Make

SPECIFICATIONS

Frequency	VSWR (max.)	Insertion Loss (dB max.)	Isolation (dB min.)
DC-4 GHz	1.20	0.20	80
4-8 GHz	1.60	0.60	70

Actuator Current (typical)	12Vdc	15 Vdc	24 Vdc	28Vdc
Failsafe	500mA	375mA	235mA	225mA
Normally Open	255mA	240mA	160mA	150mA

* If reduced coil current is required, please contact Factory.

Position	NO	NC	Latching
Switching Time - m Sec (Max)	20	50	N/A

AVAILABLE OPTIONS

OPTION 3 VOLTAGE	OPTION 4 ACTUATOR				OPTION 5 POLARITY
1 - 12 Vdc 2 - 28 Vdc 3 - 15 Vdc 5 - Other 6 - 24 Vdc 7 - 5 Vdc	Failsafe		Normally Open		1 - Negative 2 - Positive 3 - Not Applicable / USB
	A - Standard B - Diodes BY - Diodes with USB	C - Indicators D - Diodes, Indicators DY - Diodes, Indicators with USB	L - Standard M - Diodes MY - Diodes with USB	N - Indicators P - Diodes, Indicators PY - Diodes, Indicators with USB	OPTION 6 TERMINALS
	Low Input Drivers with: E - Diodes F - Diodes, Indicators EB - B C D, Diodes FB - B C D, Diodes, Indicators	High Input Drivers with: EH - Diodes FH - Diodes, Indicators EBH - B C D, Diodes FBH - B C D, Diodes, Indicators	Low Input Drivers with: R - Diodes S - Diodes, Indicators RB - B C D, Diodes SB - B C D, Diodes, Indicators	High Input Drivers with: RH - Diodes SH - Diodes, Indicators RBH - B C D, Diodes SBH - B C D, Diodes, Indicators	1 - Solder Terminals 2 - Circular Connector 3 - Other (Specify)/ USB 4 - Sub M iniature D-Shell Connector

ADDITIONAL OPTIONS

OPTION 7 STANDARD OPTIONS
1 - Moisture Seal 2 - High Temperature (125° C) 3 - Moisture Seal & High Temperature (125° C)
OPTION 8 BRACKETS
A - See Page 144

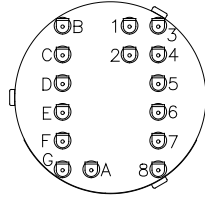
Please Note: USB integration can only be applied to Voltage Options 5Vdc, 12Vdc, & 15Vdc, Polarity Option # 3, and Terminals Option # 3. Schematics may include optional Indicator Contacts. If your Actuator Option does not include Indicator Contacts, omit them from the schematic.

For "Additional Options" please contact Factory for part number

ST

Option 1 Positions	Option 2 Series	Option 3 Voltage	Option 4 Actuator	Option 5 Polarity	Option 6 Terminals
------------------------------	---------------------------	----------------------------	-----------------------------	-----------------------------	------------------------------

TOP VIEW



Actual markings will reflect terminal functions, not letter or number designation as shown above.

DC TERMINAL FUNCTIONS

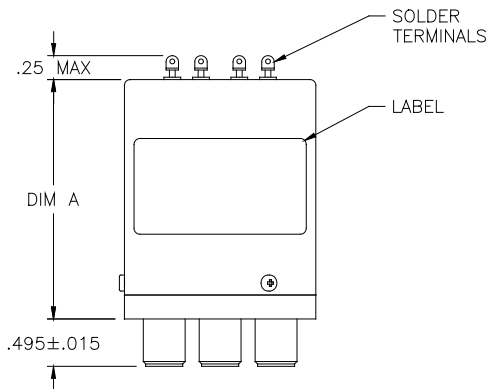
PIN	FAILSAFE			NORMALLY OPEN		
	A, C	B, D	E, EH, EB, EBH, F, FH, FB, FBH	L, N	M, P	R, RH, RB, RBH, S, SH, SB, SBH
1	C	C+/-	+V SW	C	C+/-	+V SW
2	N/A	N/A	C RTN	N/A	N/A	C RTN
3	N/A	N/A	N/A or BCD 1	AV 1	AV 1-/+	L 1 or BCD 1
4	AV 2	AV 2-/+	L 2 or BCD 2	AV 2	AV 2-/+	L 2 or BCD 2
5	AV 3	AV 3-/+	L 3 or BCD 4	AV 3	AV 3-/+	L 3 or BCD 4
6	AV 4	AV 4-/+	L 4	AV 4	AV 4-/+	L 4
7	AV 5	AV 5-/+	L 5	AV 5	AV 5-/+	L 5
8	AV 6	AV 6-/+	L 6	AV 6	AV 6-/+	L 6

SCHEMATICS

Pages 132–137

M1	M2	M3, M4	M5	M6	M7, M8

FRONT VIEW



INDICATORS

PIN	A	B	C	D	E	F	G
	COM	1 or F/S	2	3	4	5	6

See Page 158 for Legend of Terms and Tolerances

See Page 138 for Logic & BCD Truth Table

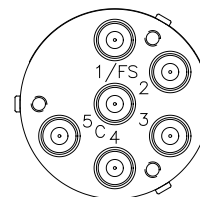
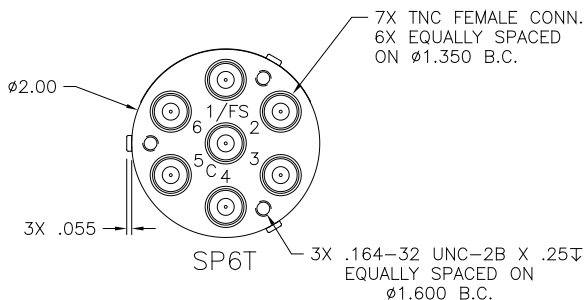
AVAILABLE OPTIONS*

OUTLINE DRAWING

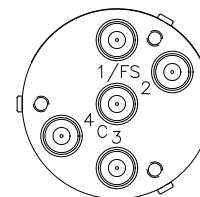
AVAILABLE OPTIONS*	OUTLINE DRAWING DIMENSION "A"
A, L	2.50
B, C, M, N	2.50
D, P	2.75
E, EH, R, RH	2.75
EB, EBH, RB, RBH	2.75
F, FH, S, SH	3.25
FB, FBH, SB, SBH	3.25

* Consult factory for Dimension "A" when multi-pin connector is desired.

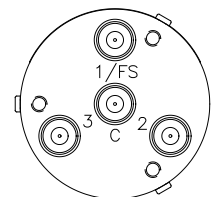
BOTTOM VIEW



SP5T



SP4T



SP3T