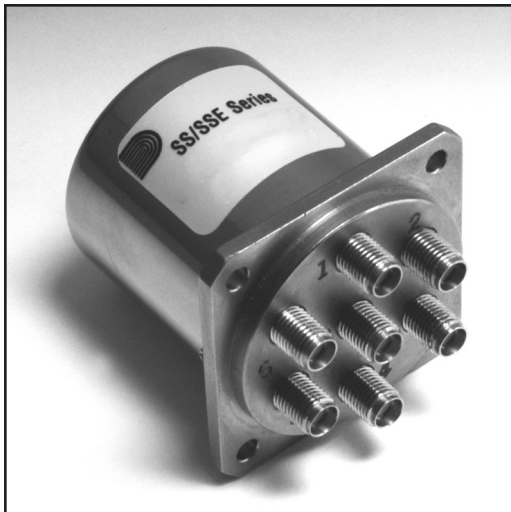


**SS/SSE SERIES**  
**SP3T to SP6T**  
**MULTI POSITION SWITCH**  
**DC-22 GHz ◆ SMA**

**Click Here to Request Quote**



The **SS Series** features SMA connectors and a frequency range of DC to 18 GHz.

The **SSE Series** also features SMA connectors and a frequency range of DC to 22 GHz.

Both series are available with failsafe or normally open functions. Please contact Factory for latching and pulse latching design availability.

<b>Weight (max.):</b>	6.5 oz
<b>RF Impedance:</b>	50 ohms nominal
<b>Operating Temperature:</b>	-55°C to +85°C ambient
<b>Operating Life:</b>	1,000,000 cycles min.
<b>Switching Sequence:</b>	Break Before Make

**SPECIFICATIONS**

Frequency	VSWR (max.)	Insertion Loss (dB max.)	Isolation (dB min.)
DC-4 GHz	1.20	0.30	75
4-8 GHz	1.30	0.35	70
8-12 GHz	1.40	0.40	65
12-18 GHz	1.50	0.50	60
18-22 GHz	1.60	0.60	60

Actuator Current (typical)	12Vdc	15 Vdc	24 Vdc	28Vdc
Failsafe	390mA	310mA	205mA	190mA
Normally Open	310mA	250mA	155mA	135mA

\* If reduced coil current is required, please contact Factory.

Position	NO	NC	Latching
Switching Time - mSec (Max)	15	35	N/A

**AVAILABLE OPTIONS**

OPTION 3 VOLTAGE	OPTION 4 ACTUATOR				OPTION 5 POLARITY
1 - 12 Vdc	<b>Failsafe</b>		<b>Normally Open</b>		1 - Negative
2 - 28 Vdc	A - Standard	C - Indicators	L - Standard	N - Indicators	2 - Positive
3 - 15 Vdc	B - Diodes	D - Diodes, Indicators	M - Diodes	P - Diodes, Indicators	3 - Not Applicable / USB
5 - Other	BY - Diodes with USB	D - Diodes, Indicators with USB	MY - Diodes with USB	PY - Diodes, Indicators with USB	
6 - 24 Vdc					<b>OPTION 6 TERMINALS</b>
7 - 5 Vdc					1 - Solder Terminals
	<b>Low Input Drivers with:</b>	<b>High Input Drivers with:</b>	<b>Low Input Drivers with:</b>	<b>High Input Drivers with:</b>	2 - Circular Connector
	E - Diodes	EH - Diodes	R - Diodes	RH - Diodes	3 - Other (Specify) / USB
	F - Diodes, Indicators	FH - Diodes, Indicators	S - Diodes, Indicators	SH - Diodes, Indicators	4 - Sub Miniature D-Shell Connector
	EB - B C D, Diodes	EBH - B C D, Diodes	RB - B C D, Diodes	RBH - B C D, Diodes	
	FB - B C D, Diodes, Indicators	FBH - B C D, Diodes, Indicators	SB - B C D, Diodes, Indicators	SBH - B C D, Diodes, Indicators	

**ADDITIONAL OPTIONS**

OPTION 7 STANDARD OPTIONS
1 - Moisture Seal
2 - High Temperature (125° C)
3 - Moisture Seal & High Temperature (125° C)
<b>OPTION 8 BRACKETS</b>
A - See Page 144 Requires Body "U"
<b>OPTION 9 BODIES</b>
U - See Page 150

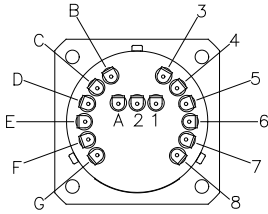
Please Note: USB integration can only be applied to Voltage Options 5Vdc, 12Vdc, & 15Vdc, Polarity Option # 3, and Terminals Option # 3. Schematics may include optional Indicator Contacts. If your Actuator Option does not include Indicator Contacts, omit them from the schematic.

For "Additional Options" please contact Factory for part number

**SS/SSE**

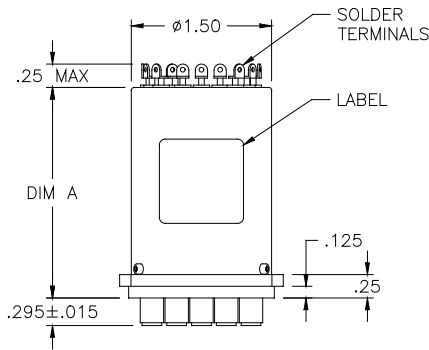
<b>Option 1</b> Positions	<b>Option 2</b> Series	<b>Option 3</b> Voltage	<b>Option 4</b> Actuator	<b>Option 5</b> Polarity	<b>Option 6</b> Terminals
------------------------------	---------------------------	----------------------------	-----------------------------	-----------------------------	------------------------------

**TOP VIEW**

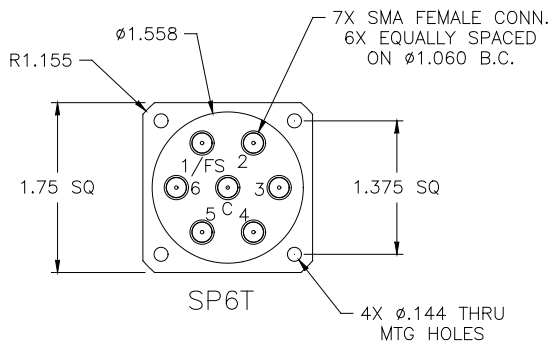


Actual markings will reflect terminal functions, not letter or number designation as shown above.

**FRONT VIEW**



**BOTTOM VIEW**



**DC TERMINAL FUNCTIONS**

PIN	FAILSAFE			NORMALLY OPEN		
	A, C	B, D	E, EH, EB, EBH, F, FH, FB, FBH	L, N	M, P	R, RH, RB, RBH, S, SH, SB, SBH
1	C	C+/-	+VSW	C	C+/-	+V SW
2	N/A	N/A	C RTN	N/A	N/A	C RTN
3	N/A	N/A	N/A or BCD 1	AV 1	AV 1-/+	L 1 or BCD 1
4	AV 2	AV 2-/+	L 2 or BCD 2	AV 2	AV 2-/+	L 2 or BCD 2
5	AV 3	AV 3-/+	L 3 or BCD 4	AV 3	AV 3-/+	L 3 or BCD 4
6	AV 4	AV 4-/+	L 4	AV 4	AV 4-/+	L 4
7	AV 5	AV 5-/+	L 5	AV 5	AV 5-/+	L 5
8	AV 6	AV 6-/+	L 6	AV 6	AV 6-/+	L 6

**SCHEMATICS**

Pages 132–137

	M1	M2	M3, M4	M5	M6	M7, M8

**INDICATORS**

PIN	A	B	C	D	E	F	G
	COM	1 or F/S	2	3	4	5	6

See Page 158 for Legend of Terms and Tolerances

See Page 138 for Logic & BCD Truth Table

**AVAILABLE OPTIONS\***      **OUTLINE DRAWING DIMENSION "A" (MAX).**

A, L	1.75
B, C, M, N	2.00
D, P	2.25
E, EH, R, RH	2.25
EB, EBH, RB, RBH	2.25
F, FH, S, SH	2.75
FB, FBH, SB, SBH	2.75

\* Consult factory for Dimension "A" when multi pin connector is desired.

