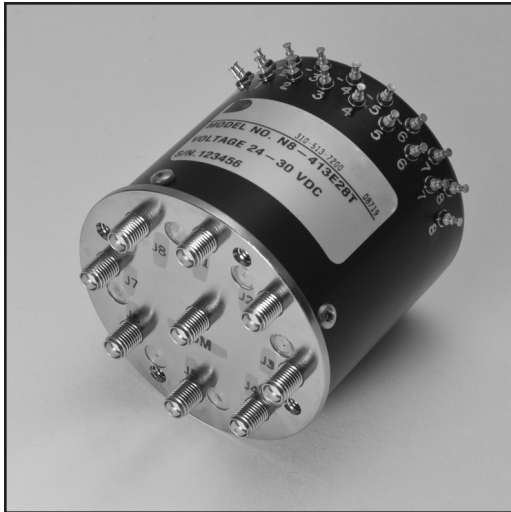


**N SERIES:  
1P7T to 1P8T MULTI POSITION 50 OHM  
TERMINATED SWITCH  
DC-15 GHz ◆ SMA**



Click Here to Request Quote



The **N Series** features SMA connectors and a frequency range of DC to 15 GHz.

This series is available with latching self cut-off or normally open functions with 50 ohm terminations.

<b>RF Impedance:</b>	50 ohms nominal
<b>Temperature Range:</b>	-35°C to +85°C ambient
<b>Operating Life:</b>	1,000,000 cycles min.
<b>Switching Time:</b>	15 mSec max.
<b>Switching Sequence:</b>	Break Before Make
<b>Environmental:</b>	Designed in Accordance to MIL-DTL-3928 (Testing and Operation Modes)

**SPECIFICATIONS**

Frequency	VSWR (max.)	Insertion Loss (dB max.)	Isolation (dB min.)
DC-3 GHz	1.20	0.20	80
3-8 GHz	1.30	0.30	70
8-12.4 GHz	1.40	0.40	60
12.4-15 GHz	1.50	0.50	60

Actuator Current (typical)	12Vdc	12-15 Vdc	20-24 Vdc	24-30Vdc
Normally Open	240mA	300mA	200mA	140mA
Latching	280mA	353mA	218mA	175mA

\* If reduced coil current is required, please contact Factory.

**AVAILABLE OPTIONS**

OPTION 2 RF CONNECTORS	OPTION 4 VOLTAGE	OPTION 5 ACTUATOR	OPTION 6 FREQUENCY	OPTION 8 SPECIAL OPTIONS
4 - SMA	1 - 6 Vdc +/- 10% 2 - 12 Vdc +/- 10% (USB Optional)	<b>Latching Self Cut-Off</b>	2 - DC to 15 GHz	L - TTL (High) LL - TTL (Low) 1 - Bracket F - Flange P - High Power Handling R - Reset (Latching Only) C - BCD T - Terminated U - USB
		D - Diodes (USB Optional) E - Diodes, Indicators (USB Optional)		
OPTION 3 TERMINALS	3 - 24-30 Vdc 4 - 48 Vdc +/- 10% 5 - 110 Vac +/- 10% 6 - 12-15 Vdc (USB Optional)	<b>Normally Open</b>	OPTION 7 POLARITY	
		G - Diodes, Indicators (USB Optional) H - Indicators (USB Optional) J - Diodes K - Standard		0 - Not Applicable, USB 8 - Positive Common 9 - Negative Common
1 - Solder Terminals 2 - Circular Connector 4 - Sub Miniature D-Shell Connector 5 - USB	7 - 18-20 Vdc 8 - 20-24 Vdc			

Please Note: USB integration can only be applied to Voltage Options 12Vdc, & 15Vdc, Polarity Option # 3, and Terminals Option # 3.

The switch has a mini-USB socket on the enclosure interface which provides communication between switch and computers. Additionally, the enclosure also has a Molex socket for 12Vdc connection, which is required to power RF switch. The switch is accompanied with a CD driver, a 3 ft. USB cable and a 12 Vdc AC/DC adapter.

<b>N</b>		<b>-</b>	<b>4</b>			<b>2</b>		
Option 1 Series	Option 1 Number of Positions	Option 2 RF Connectors	Option 3 Terminals	Option 4 Voltage	Option 5 Actuator	Option 6 Frequency	Option 7 Polarity	Option 8 Special Options

**DC TERMINAL FUNCTION**

PIN	LATCHING				NORMALLY OPEN					
	D	D w/ TTL	E	E w/ TTL	J	K	J, K w/ TTL	G	H	G, H w/ TTL
1	NOTE #1	NOTE #1	NOTE #1	NOTE #1	N/A	N/A	N/A	N/A	N/A	N/A
2	COM+/-	+A	COM+/-	+A	COM+/-	COM	+A	COM+/-	COM	+A
3	1-/+	-B	1-/+	-B	1-/+	1	-B	1-/+	1	-B
4	2-/+	1	2-/+	1	2-/+	2	1	2-/+	2	1
5	3-/+	2	3-/+	2	3-/+	3	2	3-/+	3	2
6	4-/+	3	4-/+	3	4-/+	4	3	4-/+	4	3
7	5-/+	4	5-/+	4	5-/+	5	4	5-/+	5	4
8	6-/+	5	6-/+	5	6-/+	6	5	6-/+	6	5
9	7-/+	1	7-/+	6	7-/+	7	6	7-/+	7	6
10	8-/+	2	8-/+	7	8-/+	8	7	8-/+	8	7
11	N/A	3	N/A	8	N/A	N/A	8	N/A	N/A	8
A	N/A	5	COM	COM	N/A	N/A	N/A	COM	COM	COM
B	N/A	6	1	1	N/A	N/A	N/A	1	1	1
C	N/A	7	2	2	N/A	N/A	N/A	2	2	2
D	N/A	8	3	3	N/A	N/A	N/A	3	3	3
E	N/A	N/A	4	4	N/A	N/A	N/A	4	4	4
F	N/A	N/A	5	5	N/A	N/A	N/A	5	5	5
G	N/A	N/A	6	6	N/A	N/A	N/A	6	6	6
H	N/A	N/A	7	7	N/A	N/A	N/A	7	7	7
I	N/A	N/A	8	8	N/A	N/A	N/A	8	8	8

NOTE#1: RESET IF (R) OPTION IS SELECTED, OTHERWISE N/A

**SCHEMATICS**

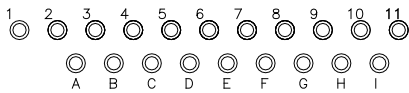
Pages 139-143

FIG.	25	26	25	26	29	29	30	29	29	30
------	----	----	----	----	----	----	----	----	----	----

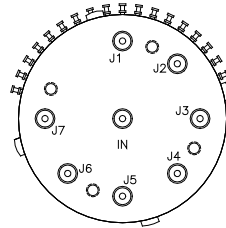
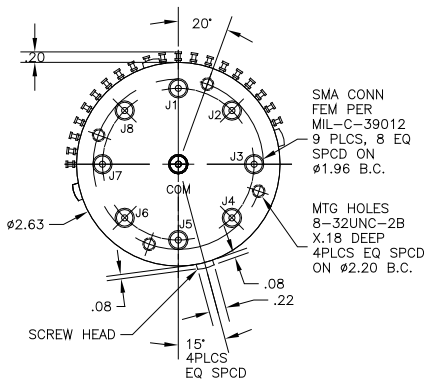
**OUTLINE DRAWING DIMENSION "A"**

2.60"	2.98"	2.60"	2.98"	2.10"	2.10"	2.36"	2.10"	2.10"	2.36"
-------	-------	-------	-------	-------	-------	-------	-------	-------	-------

**DC TERMINAL VIEW**



**BOTTOM VIEW**



SP7T: ELIMINATE POSITION J8

**FRONT VIEW**

