

**Click Here to  
Request Quote**



The **D5 Series** features SC connectors and a frequency range of DC to 6.5 GHz.

This series is available with fail-safe, latching self cut-off or pulse latching functions.

<b>RF Impedance:</b>	50 ohms nominal
<b>Temperature Range:</b>	-35°C to +85°C ambient
<b>Operating Life:</b>	1,000,000 cycles min.
<b>Switching Time:</b>	15 mSec max.
<b>Switching Sequence:</b>	Break Before Make
<b>Environmental:</b>	Designed in Accordance to MIL-DTL-3928 (Testing and Operation Modes)

**SPECIFICATIONS**

Frequency	VSWR (max.)	Insertion Loss (dB max.)	Isolation (dB min.)
DC-1 GHz	1.15	0.15	60
1-3 GHz	1.35	0.35	60
3-6.5 GHz	1.50	0.50	60

Actuator Current (typical)	12Vdc	12-15 Vdc	20-24 Vdc	24-30Vdc
Fail-safe	240mA	240mA	200mA	190mA
Latching	140mA	140mA	130mA	130mA

\* If reduced coil current is required, please contact Factory.

**AVAILABLE OPTIONS**

OPTION 2 RF CONNECTORS	OPTION 4 VOLTAGE	OPTION 5 ACTUATOR	OPTION 6 FREQUENCY	OPTION 8 SPECIAL OPTIONS
5 - SC	1 - 6 Vdc +/- 10% 2 - 12 Vdc +/- 10% 3 - 24-30 Vdc 4 - 48 Vdc +/- 10% 5 - 110 Vac +/- 10% 6 - 12-15 Vdc 7 - 18-20 Vdc 8 - 20-24 Vdc	<b>Fail-safe</b> A - Standard M - Diodes B - Indicators Q - Diodes, Indicators <b>Latching Self Cut-Off</b> D - Diodes E - Diodes, Indicators <b>Pulse Latching</b> C - Standard F - Indicators	2 - DC to 6.5 GHz  <b>OPTION 7 POLARITY</b> 0 - Not Applicable 8 - Positive Common 9 - Negative Common	L - TTL (High) LL - TTL (Low) P - High Power Handling
OPTION 3 TERMINALS				
1 - Solder Terminals 2 - Circular Connector 4 - Sub M miniature D-Shell Connector				

<b>D5</b>	<b>-</b>	<b>5</b>			<b>2</b>			
Option 1 Series		Option 2 RF Connectors	Option 3 Terminals	Option 4 Voltage	Option 5 Actuator	Option 6 Frequency	Option 7 Polarity	Option 8 Special Options

**DC TERMINAL FUNCTION**

PIN	FAILSAFE							LATCHING						
	A	M	A, M w/ TTL	B	Q	B, Q w/ TTL	C	C w/ TTL	D	D w/ TTL	E	E w/ TTL	F	F w/ TTL
1	1	+1	+A	COM	COM	COM	COM+/-	+A	COM+/-	+A	COM	COM	COM	COM
2	N/A	N/A	N/A	1	1	1	N/A	-B	N/A	-B	1	1	1	1
3	N/A	N/A	N/A	2	2	2	N/A	N/A	N/A	N/A	2	2	2	2
4	2	-2	-B	1	+1	+A	1-/+	1	1-/+	1	COM+/-	+A	COM+/-	+A
5	N/A	N/A	2	2	-2	-B	2-/+	2	2-/+	2	1-/+	-B	1-/+	-B
6	N/A	N/A	N/A	N/A	N/A	2	N/A	N/A	N/A	N/A	2-/+	1	2-/+	1
7	N/A	N/A	N/A	N/A	N/A	N/A	N/A	N/A	N/A	N/A	2	N/A	2	2

**SCHEMATICS**

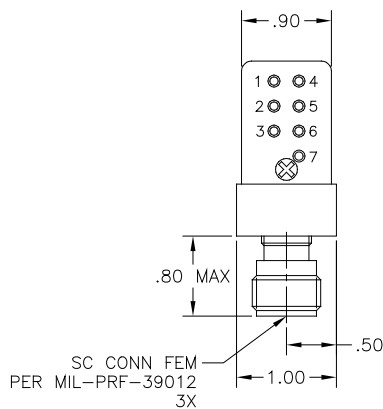
Pages 139-143

FIG.	1	1	2	1	1	2	15	16	9	10	9	10	15	16
------	---	---	---	---	---	---	----	----	---	----	---	----	----	----

**OUTLINE DRAWING DIMENSION "A"**

1.75"	1.75"	1.75"	1.75"	1.75"	1.75"	1.75"	1.75"	1.98"	1.75"	1.98"	1.75"	1.98"	1.75"	1.98"
-------	-------	-------	-------	-------	-------	-------	-------	-------	-------	-------	-------	-------	-------	-------

**SIDE VIEW**



**FRONT VIEW**

