

**D13 SERIES P
SPDT SWITCH
DC-22 GHz ◆ SMA**

**Click Here to
Request Quote**



The **D13 Series** features SMA connectors and a frequency range of DC to 18 GHz.

This series is available with fail-safe function only.

RF Impedance:	50 ohms nominal
Temperature Range:	-35°C to +85°C ambient
Operating Life:	1,000,000 cycles min.
Switching Time:	15 mSec max.
Switching Sequence:	Break Before Make
Environmental:	Designed in Accordance to MIL-DTL-3928 (Testing and Operation Modes)

SPECIFICATIONS

Frequency	VSWR (max.)	Insertion Loss (dB max.)	Isolation (dB min.)
DC-3 GHz	1.20	0.20	80
3-8 GHz	1.30	0.30	70
8-12.4 GHz	1.40	0.40	60
12.4-18 GHz	1.50	0.50	60
18-22 GHz	1.60	0.60	55

Actuator Current (typical)	12Vdc	12-15 Vdc	20-24 Vdc	24-30Vdc
Fail-safe	330mA	330mA	140mA	160mA

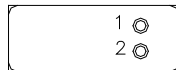
* If reduced coil current is required, please contact Factory.

AVAILABLE OPTIONS

OPTION 2 RF CONNECTORS	OPTION 4 VOLTAGE	OPTION 5 ACTUATOR	OPTION 6 FREQUENCY
4 - SMA	1 - 6 Vdc +/- 10% 2 - 12 Vdc +/- 10% 3 - 24-30 Vdc 4 - 48 Vdc +/- 10% 5 - 110 Vac +/- 10%	Fail-safe	5 - DC to 22 GHz
OPTION 3 TERMINALS	6 - 12-15 Vdc 7 - 18-20 Vdc 8 - 20-24 Vdc	A - Standard	OPTION 7 POLARITY
1 - Solder Terminals 4 - Sub Miniature D-Shell Connector			0 - Not Applicable

D13	-	4	1	A	5	0
Option 1 Series		Option 2 RF Connectors	Option 3 Terminals	Option 4 Voltage	Option 5 Actuator	Option 6 Frequency
						Option 7 Polarity

High quality microwave and millimeter wave components and subsystems. Visit Ducommun RF Products online at www.ducommun.com or contact us at 310.513.7200. All specifications are subject to change without notice.

TOP VIEW

DC TERMINAL FUNCTION

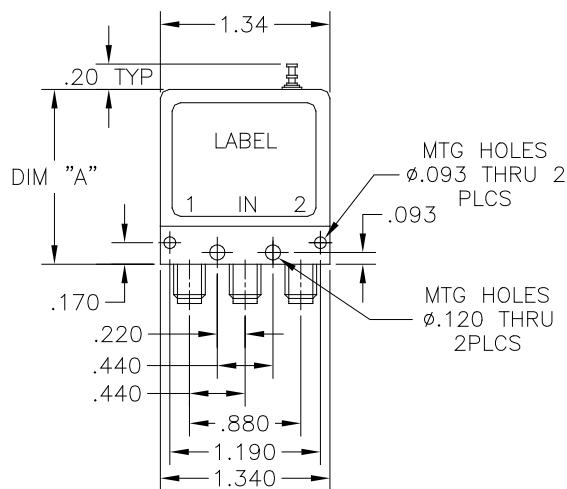
PIN	FAIL SAFE
	A
1	2
2	1

SCHEMATICS

Pages 139-143	
FIG.	1

OUTLINE DRAWING DIMENSION "A"

	1.38"
--	-------

FRONT VIEW

SIDE VIEW
