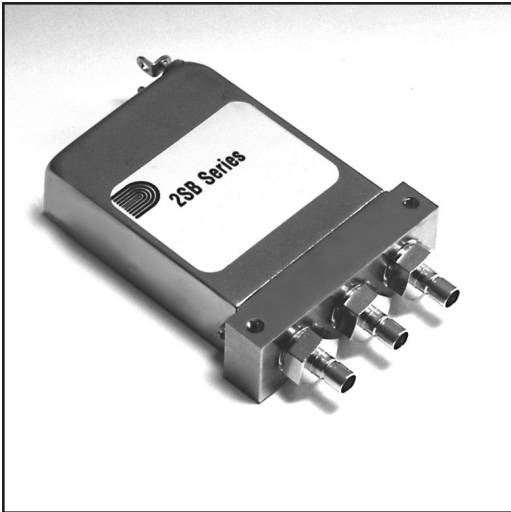


**2SB SERIES
SPDT 75 OHM SWITCH
DC-3 GHz ◆ MINI SMB**

**Click Here to
Request Quote**



The **2SB Series** features Mini SMB connectors and a frequency range of DC to 3 GHz.

This series is available with fail-safe functions. Please contact the factory for latching self cut-off and pulse latching design availability.

| | |
|-------------------------------|------------------------|
| Weight (max.): | 2 oz |
| RF Impedance: | 75 ohms nominal |
| Operating Temperature: | -25°C to +65°C ambient |
| Operating Life: | 1,000,000 cycles min. |
| Switching Sequence: | Break Before Make |

SPECIFICATIONS

| Frequency | VSWR (max.) | Insertion Loss (dB max.) | Isolation (dB min.) |
|-----------|-------------|--------------------------|---------------------|
| DC-1 GHz | 1.10 | 0.15 | 90 |
| 1-2 GHz | 1.15 | 0.20 | 85 |
| 2-3 GHz | 1.20 | 0.30 | 80 |

| Actuator Current (typical) | 12Vdc | 15 Vdc | 24 Vdc | 28Vdc |
|----------------------------|-------|--------|--------|-------|
| Fail-safe | 210mA | 170mA | 110mA | 95mA |

* If reduced coil current is required, please contact Factory.

| Position | NO | NC | Latching |
|-----------------------------|----|----|----------|
| Switching Time - mSec (Max) | 15 | 35 | N/A |

AVAILABLE OPTIONS

| OPTION 3 VOLTAGE | OPTION 4 ACTUATOR | OPTION 5 POLARITY |
|--|--|--|
| 1 - 12 Vdc 2 - 28 Vdc 3 - 15 Vdc 5 - Other 6 - 24 Vdc 7 - 5 Vdc | Fail-safe A - Standard B - Diodes C - Indicators D - Diodes, Indicators | 1 - Negative 2 - Positive 3 - Not Applicable |
| | | OPTION 6 TERMINALS |
| | | 1 - Solder Terminals 3 - Other (Specify) 4 - Sub Miniature D-Shell Connector |

ADDITIONAL OPTIONS

| OPTION 7 STANDARD OPTIONS |
|---|
| 1 - Moisture Seal 2 - High Temperature (125° C) 3 - Moisture Seal & High Temperature (125° C) |

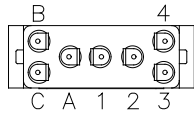
Please Note: Schematics may include optional Indicator Contacts. If your Actuator Option does not include Indicator Contacts, omit them from the schematic.

For "Additional Options" please contact Factory for part number

2SB

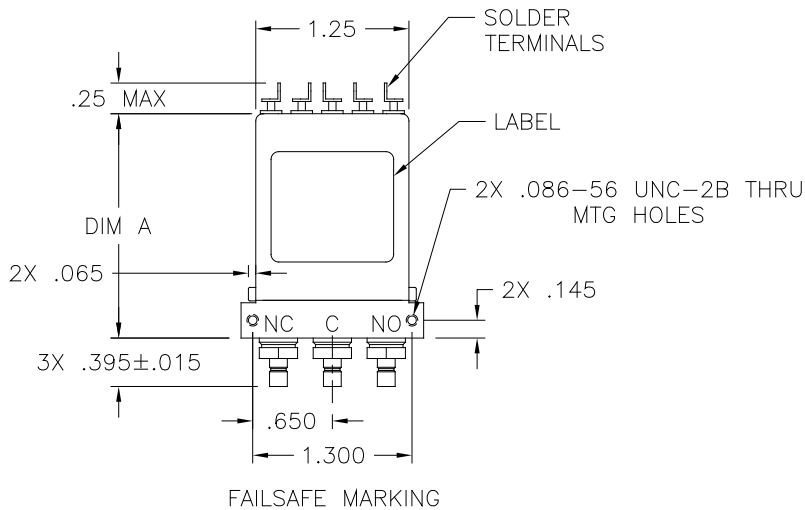
- Option 2
Series
- Option 3
Voltage
- Option 4
Actuator
- Option 5
Polarity
- Option 6
Terminals

TOP VIEW

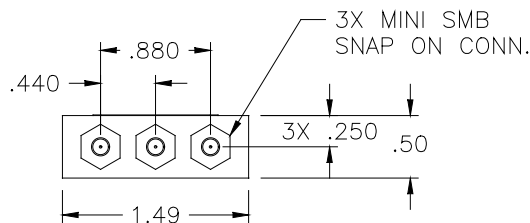


Actual markings will reflect terminal functions, not letter or number designation as shown above.

FRONT VIEW



BOTTOM VIEW



DC TERMINAL FUNCTIONS

| PIN | FAILSAFE | |
|-----|----------|------|
| | A, C | B, D |
| 1 | N/A | N/A |
| 2 | N/A | N/A |
| 3 | AV | AV- |
| 4 | AV | AV+ |

SCHEMATICS

| Pages 132-137 | |
|---------------|----|
| S1, S2 | S3 |

INDICATORS

| PIN | A | B | C |
|-----|-----|----------|----------|
| | COM | 1 or N/C | 2 or N/O |

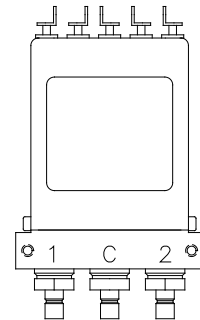
See Page 158 for Legend of Terms and tolerances

See Page 138 for Logic & BCD Truth Table

AVAILABLE OPTIONS*

| AVAILABLE OPTIONS* | OUTLINE DRAWING DIMENSION "A" |
|--------------------|-------------------------------|
| A, B, C, D | 1.90 |

* Consult factory for Dimension "A" when multi-pin connector is desired.



LATCHING MARKING