

**Click Here to Request Quote**



The **2S/2SL Series** features SMA connectors and a frequency range of DC to 18 GHz.

The **2SE/2SLE Series** also features SMA connectors and a frequency range of DC to 26.5 GHz.

Both series are available with fail-safe, latching self cut-off, or pulse latching options. The 2SL/2SLE series has in board and out board mounting holes. Please consult Factory for SPST version.

<b>Weight (max.):</b>	2.1 oz
<b>RF Impedance:</b>	50 ohms nominal
<b>Operating Temperature (fail-safe):</b>	-55°C to +85°C ambient
<b>Operating Temperature (latching):</b>	-25°C to +85°C ambient
<b>Operating Life:</b>	1,000,000 cycles min.
<b>Switching Sequence:</b>	Break Before Make

**SPECIFICATIONS**

Frequency	VSWR (max.)	Insertion Loss (dB max.)	Isolation (dB min.)
DC-4 GHz	1.25	0.20	80
4-8 GHz	1.25	0.25	75
8-12 GHz	1.30	0.30	70
12-18 GHz	1.35	0.40	60
18-26.5 GHz	1.50	0.50	50

Actuator Current (typical)	12Vdc	15 Vdc	24 Vdc	28Vdc
Fail-safe	300mA	240mA	150mA	135mA
Latching	200mA	155mA	100mA	95mA

\* If reduced coil current is required, please contact Factory.

Position	NO	NC	Latching
Switching Time - mSec (Max)	15	35	20

**AVAILABLE OPTIONS**

OPTION 3 VOLTAGE	OPTION 4 ACTUATOR		OPTION 5 POLARITY
1 - 12 Vdc	<b>Fail-safe</b>		1 - Negative
2 - 28 Vdc	A - Standard	C - Indicators	2 - Positive
3 - 15 Vdc	B - Diodes	D - Diodes, Indicators	3 - Not Applicable
5 - Other	<b>Low Input Drivers with:</b>		<b>OPTION 6 TERMINALS</b>
6 - 24 Vdc	E - Diodes	EH - Diodes	
7 - 5 Vdc	F - Diodes, Indicators	FH - Diodes, Indicators	1 - Solder Terminals
	<b>Latching Self Cut-Off</b>		3 - Other (Specify)
	G - Diodes	H - Diodes, Indicators	4 - Sub Miniature D-Shell Connector
	<b>Low Input Drivers with:</b>		
	J - Diodes	JH - Diodes	
	K - Diodes, Indicators	KH - Diodes, Indicators	

**ADDITIONAL OPTIONS**

OPTION 7 STANDARD OPTIONS
1 - Moisture Seal
2 - High Temperature (125° C)
3 - Moisture Seal & High Temperature (125° C)
OPTION 8 BRACKETS
No Additional Brackets Offered
OPTION 9 BODIES
R - See Page 147

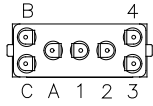
Please Note: Schematics may include optional Indicator Contacts. If your Actuator Option does not include Indicator Contacts, omit them from the schematic.

For "Additional Options" please contact Factory for part number

**2S/2SE**  
**2SL/2SLE**

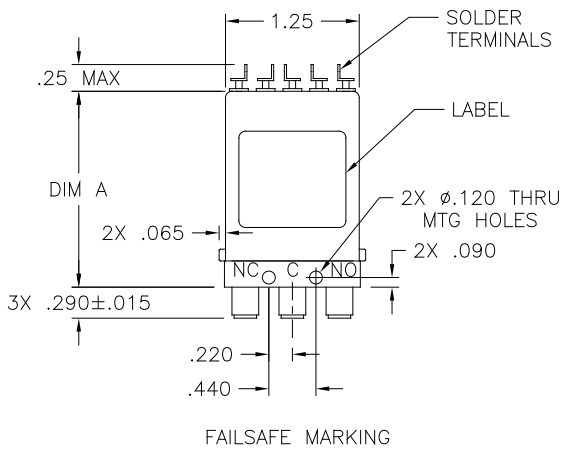
<b>Option 2</b> Series	<b>Option 3</b> Voltage	<b>Option 4</b> Actuator	<b>Option 5</b> Polarity	<b>Option 6</b> Terminals
---------------------------	----------------------------	-----------------------------	-----------------------------	------------------------------

**TOP VIEW**

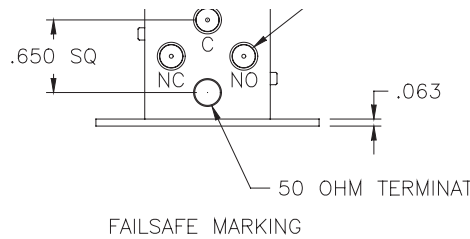


Actual markings will reflect terminal functions, not letter or number designation as shown above.

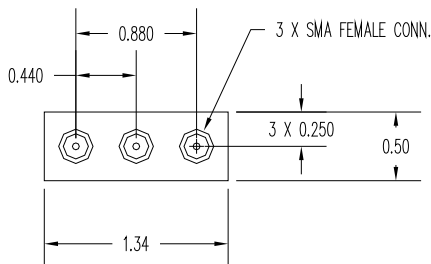
**FRONT VIEW**



**BOTTOM VIEW**



**2SL / 2SLE**



**DC TERMINAL FUNCTION**

PIN	FAILSAFE		LATCHING			
	A, C	B, D	E, EH, F, FH	G, H	J, JH, K, KH	T, U, V, W
1	N/A	N/A	N/A	N/A	+V SW	N/A
2	N/A	N/A	C RTN	C+/-	C RTN	C+/-
3	AV	AV -	L	AV 1-/+	L 1	PV 1-/+
4	AV	AV +	+ V SW	AV 2-/+	L 2	PV 2-/+

**SCHEMATICS**

Pages 132-137						
	S1, S2	S3	S4	S5	S6	S8, S9

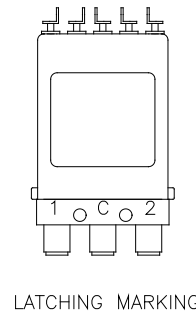
**INDICATORS**

PIN	A	B	C
	COM	1 or N/C	2 or N/O

See Page 158 for Legend of Terms and tolerances  
 See Page 138 for Logic & BCD Truth Table

AVAILABLE OPTIONS*	OUTLINE DRAWING DIMENSION "A"
A, B, C	1.25
D	1.50
E, EH, F, FH	1.83
J, JH, K, KH	1.83
G, H, V, W	1.83
T, U	1.25

\* Consult factory for Dimension "A" when multi-pin connector is desired.



**2SL / 2SLE**

