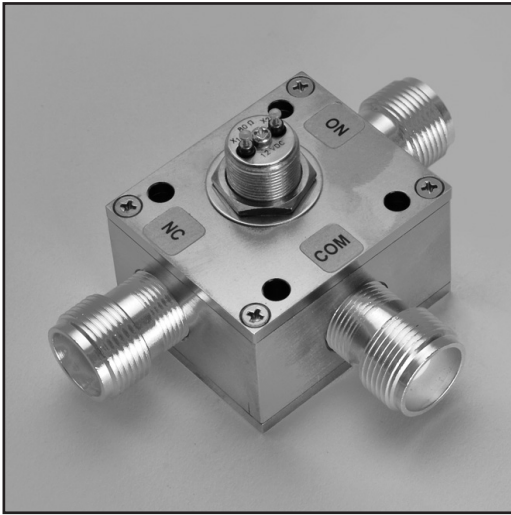


**2HNV/2NV/2SCV SERIES
SPDT VACUUM SWITCH
DC-400 MHz ◆ HN/N/SC**

**Click Here to
Request Quote**



HN CONNECTOR SHOWN

The **2HNV/2NV/2SCV Series** features HN/N/SC connectors and a frequency range of DC to 400 MHz. This switch is capable of “hot” switching 1KW at 30 MHz with optional Tungsten contacts.

Note: “Hot” switching will greatly reduce the operating life of the switch.

Weight (max.):	9 oz
RF Impedance:	50 ohms nominal
Operating Temperature:	-55°C to +85°C ambient
Operating Life:	1,000,000 cycles min.
Switching Sequence:	Break Before Make

SPECIFICATIONS

Frequency	VSWR (max.)	Insertion Loss (dB max.)	Isolation (dB min.)
DC-30 MHz	1.05	0.07	35
DC-50 MHz	1.06	0.08	30
DC-100 MHz	1.08	0.09	25
DC-400 MHz	1.10	0.10	17

Actuator Current (typical)	12 Vdc	28 Vdc
Fail-safe	150mA	84mA

Position	NO	NC	Latching
Switching Time - mSec (Max)	N/A	10	N/A

AVAILABLE OPTIONS

OPTION 3 VOLTAGE
1 - 12 Vdc
2 - 28 Vdc

ADDITIONAL OPTIONS

OPTION 7 STANDARD OPTIONS
5 - Tungsten Contacts

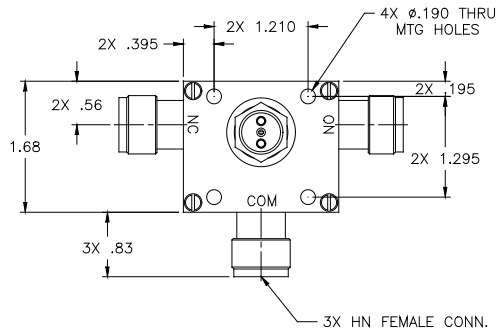
For “Additional Options” please contact Factory for part number

**2HNV
2NV
2SCV**

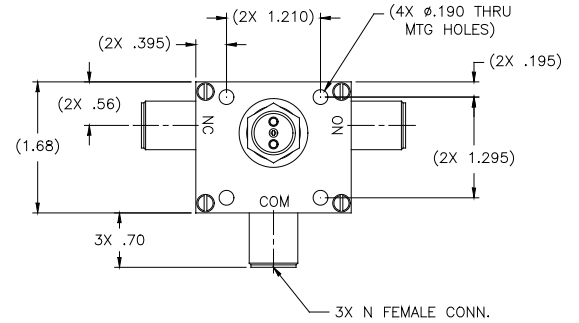
Option 2
Series

Option 3
Voltage

TOP VIEW

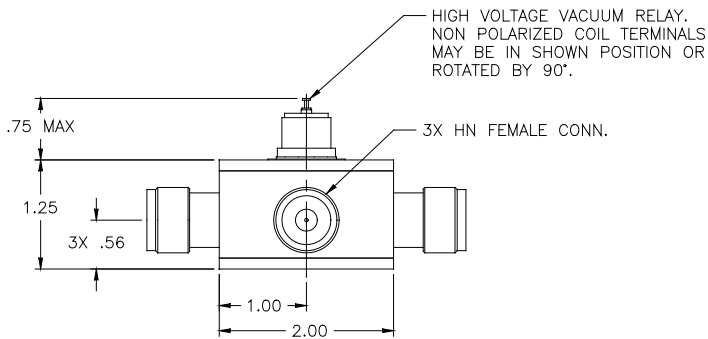


2HNV SWITCH

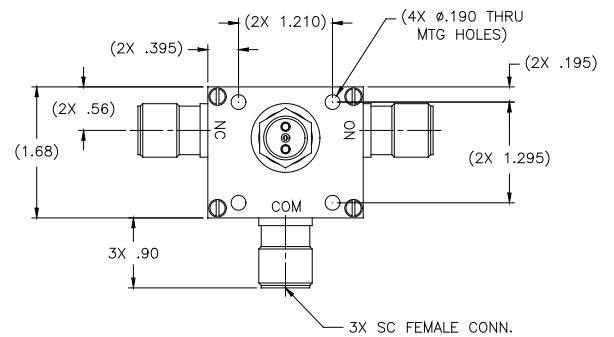
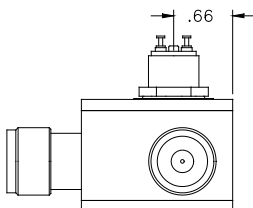


2NV SWITCH

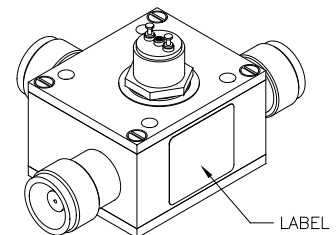
FRONT VIEW



SIDE VIEW



2SCV SWITCH



Please Note: Schematics may include optional Indicator Contacts. If your Actuator Option does not include Indicator Contacts, omit them from the schematic.