

Click Here to Request Quote



The **2EL/2ELE Series** features SMA connectors and a frequency range of DC to 18 GHz.

The **2EL/2ELE Series** features SMA connectors and a frequency range of DC to 26.5 GHz.

Both series are available with failsafe, latching self cut-off, or pulse latching options. The 2EL/2ELE series has in board and out board mounting holes. Please consult Factory for SPST version.

| | |
|---|------------------------|
| Weight (max.): | 2.1 oz |
| RF Impedance: | 50 ohms nominal |
| Operating Temperature (fail-safe): | -55°C to +85°C ambient |
| Operating Temperature (latching): | -25°C to +85°C ambient |
| Operating Life: | 5,000,000 cycles min. |
| Switching Sequence: | Break Before Make |

SPECIFICATIONS

| Frequency | VSWR (max.) | Insertion Loss (dB max.) | Isolation (dB min.) |
|-------------|-------------|--------------------------|---------------------|
| DC-4 GHz | 1.25 | 0.20 | 80 |
| 4-8 GHz | 1.25 | 0.25 | 75 |
| 8-12 GHz | 1.30 | 0.30 | 70 |
| 12-18 GHz | 1.35 | 0.40 | 60 |
| 18-26.5 GHz | 1.50 | 0.50 | 50 |

| Actuator Current (typical) | 12Vdc | 15 Vdc | 24 Vdc | 28Vdc |
|----------------------------|-------|--------|--------|-------|
| Fail-safe | 300mA | 240mA | 150mA | 135mA |
| Latching | 200mA | 155mA | 100mA | 95mA |

* If reduced coil current is required, please contact Factory.

| Position | NO | NC | Latching |
|-----------------------------|----|----|----------|
| Switching Time - mSec (Max) | 15 | 35 | 20 |

AVAILABLE OPTIONS

| OPTION 3 VOLTAGE | OPTION 4 ACTUATOR | | OPTION 5 POLARITY |
|------------------|--------------------------------|--------------------------------|-------------------------------------|
| 1 - 12 Vdc | Fail-safe | | 1 - Negative |
| 2 - 28 Vdc | A - Standard | C - Indicators | 2 - Positive |
| 3 - 15 Vdc | B - Diodes | D - Diodes, Indicators | 3 - Not Applicable |
| 5 - Other | Low Input Drivers with: | | OPTION 6 TERMINALS |
| 6 - 24 Vdc | E - Diodes | EH - Diodes | |
| 7 - 5 Vdc | F - Diodes, Indicators | FH - Diodes, Indicators | 1 - Solder Terminals |
| | Latching Self Cut-Off | | 3 - Other (Specify) |
| | G - Diodes | H - Diodes, Indicators | 4 - Sub Miniature D-Shell Connector |
| | Low Input Drivers with: | | |
| | J - Diodes | JH - Diodes | |
| | K - Diodes, Indicators | KH - Diodes, Indicators | |

ADDITIONAL OPTIONS

| OPTION 7 STANDARD OPTIONS |
|---|
| 1 - Moisture Seal |
| 2 - High Temperature (125° C) |
| 3 - Moisture Seal & High Temperature (125° C) |
| OPTION 8 BRACKETS |
| No Additional Brackets Offered |
| OPTION 9 BODIES |
| R - See Page 147 |

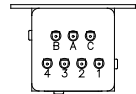
Please Note: Schematics may include optional Indicator Contacts. If your Actuator Option does not include Indicator Contacts, omit them from the schematic.

For "Additional Options" please contact Factory for part number

2EL/2ELE

| | | | | |
|------------------------|-------------------------|--------------------------|--------------------------|---------------------------|
| Option 2 Series | Option 3 Voltage | Option 4 Actuator | Option 5 Polarity | Option 6 Terminals |
|------------------------|-------------------------|--------------------------|--------------------------|---------------------------|

TOP VIEW



Actual markings will reflect terminal functions, not letter or number designation as shown above.

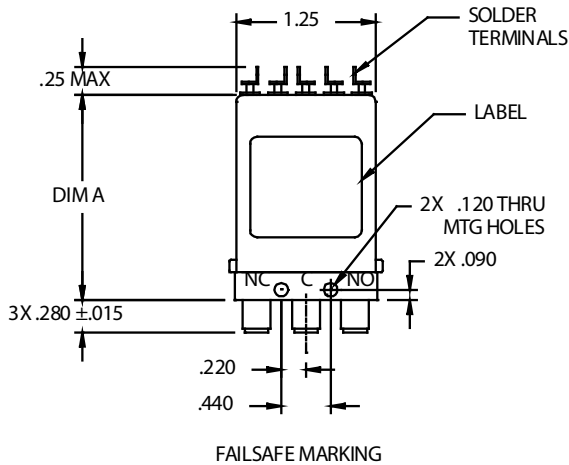
DC TERMINAL FUNCTION

| PIN | FAILSAFE | | LATCHING | | | |
|-----|----------|------|--------------|---------|--------------|------------|
| | A, C | B, D | E, EH, F, FH | G, H | J, JH, K, KH | T, U, V, W |
| 1 | N/A | N/A | N/A | N/A | +V SW | N/A |
| 2 | N/A | N/A | C RTN | C+/- | C RTN | C+/- |
| 3 | AV | AV - | L | AV 1-/+ | L 1 | PV 1-/+ |
| 4 | AV | AV + | + V SW | AV 2-/+ | L 2 | PV 2-/+ |

SCHEMATICS

| Pages 132-137 | | | | | | |
|---------------|--------|----|----|----|----|--------|
| | S1, S2 | S3 | S4 | S5 | S6 | S8, S9 |

FRONT VIEW



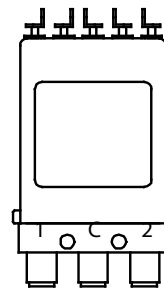
INDICATORS

| PIN | A | B | C |
|-----|-----|----------|----------|
| | COM | 1 or N/C | 2 or N/O |

See Page 158 for Legend of Terms and tolerances
 See Page 138 for Logic & BCD Truth Table

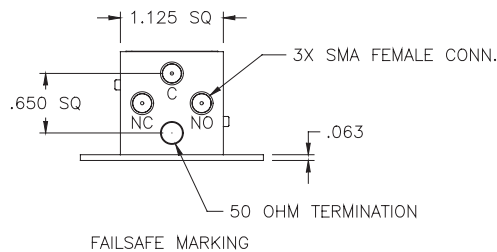
| AVAILABLE OPTIONS* | OUTLINE DRAWING DIMENSION "A" |
|--------------------|-------------------------------|
| A, B, C | 1.25 |
| D | 1.50 |
| E, EH, F, FH | 1.83 |
| J, JH, K, KH | 1.83 |
| G, H, V, W | 1.83 |
| T, U | 1.25 |

* Consult factory for Dimension "A" when multi-pin connector is desired.

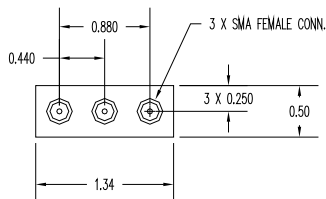


LATCHING MARKING

BOTTOM VIEW



2EL / 2ELE



2EL / 2ELE

