

CPD-04082580-A1

0.1 to 8.0 GHz PIN Diode SPDT Switch, Absorptive

Description

Model CPD-04082580-A1 is a wideband, single pole double throw, absorptive PIN diode RF switch fabricated in Silicon monolithic technology and incorporating a TTL compatible driver. Its primary function is to switch signals in the frequency range 100 MHz to 8 GHz from one 50 Ω channel to another. The switch is activated by a TTL signal applied to the control connector.

The SPDT switch is in a compact 1.2" x 0.95" x 0.46" connectorized package, and its excellent isolation, low loss and broadband feature, as well as matching on "OFF" state, make it a perfect switch of choice for RF engineers.

Features

- Terminated on "OFF"
- Low insertion loss/high isolation
- Fast switching
- Complete solid state solution

Applications

- Test instrumentation
- Telecommunication
- Radar front

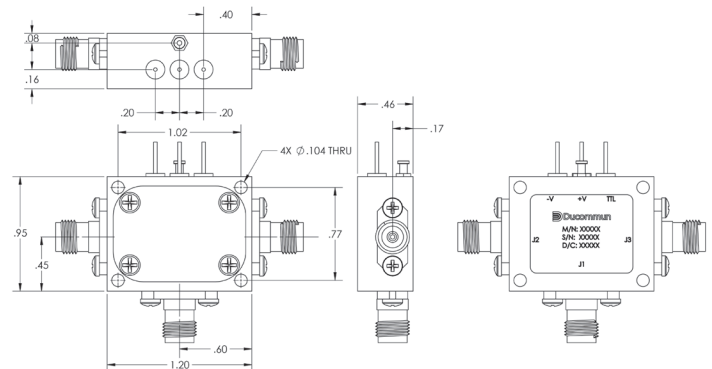
Specifications

Frequency:	0.1 to 8.0 GHz
Insertion loss:	2.5 dB maximum
Isolation:	80 dB typical
Return loss:	15 dB minimum
Switch speed:	100 nS maximum
RF power handling:	+23 dBm CW
Control:	TTL
DC bias:	+/-5V@20 mA typical
I/O connectors:	SMA (F)
Outline:	WT-H-14
Temperature range:	-55 to +85 °C



Outline

Dimensions are in inches



Performance Chart

