

Full Waveguide Q-Band Power Amplifier AFB-Q30HP-0X



The AFB series high power amplifiers are constructed with MMIC PHEMT devices and provide state-of-the-art broadband performances.

Application

- Telecommunication
- Test instrumentation
- Transceiver subassemblies

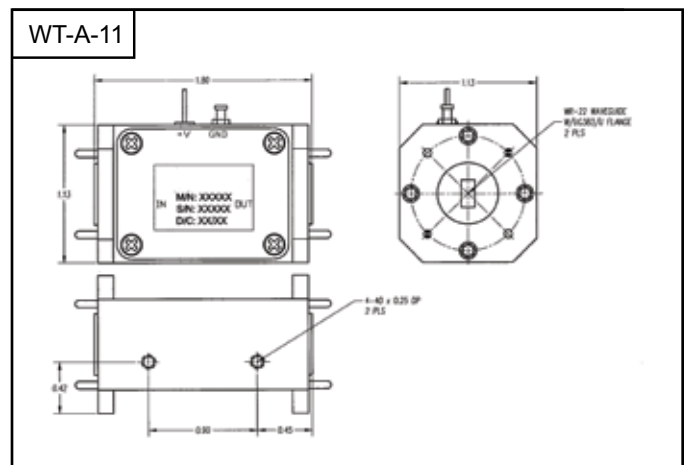
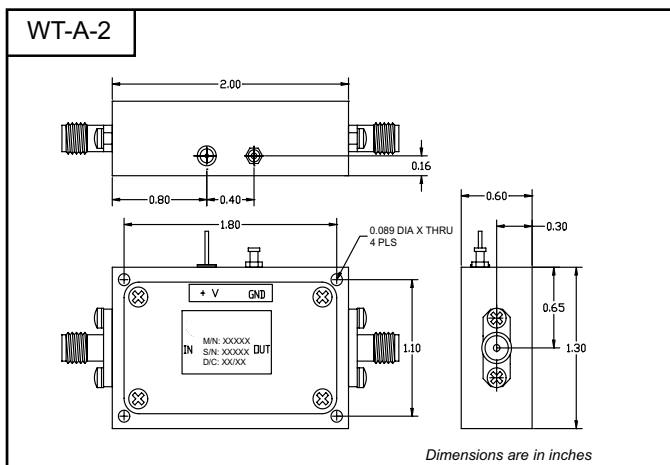
Specifications

- Frequency: 33 - 50 GHz
- Gain: 30 dB nominal
- Gain flatness: +/- 2.0 dB
- Power P1: 20.0 dBm (typ) / 18.0 (min)
- I/O VSWR: 2.0:1 (typ)
- DC bias: 8-12 V / 500 mA nominal
- I/O connectors: 2.4mm(F) or WR-22 with UG383/U flange
- Operating temperature: -40°C to +50°C

Features

- Super broadband performance with gain choice
- Offering high power across the entire Q-band
- Single DC power supply/internal regulated sequential biasing
- Compact size and light weight
- Variable I/O interface options

Outline Drawings



All specifications are subject to change without notice.

For more information, contact our sales team at 310.513.7000 or rfsales@ducommun.com