

Full Waveguide Q-Band Low Noise Amplifier AFB-Q20LN-0X



The AFB series low noise amplifiers are constructed with MMIC PHEMT devices and provide state-of-the-art broadband performances.

Application

- Telecommunication
- Test instrumentation
- Transceiver subassemblies

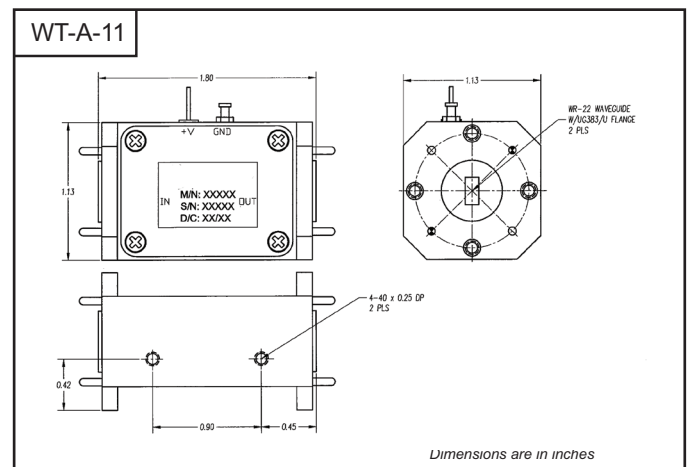
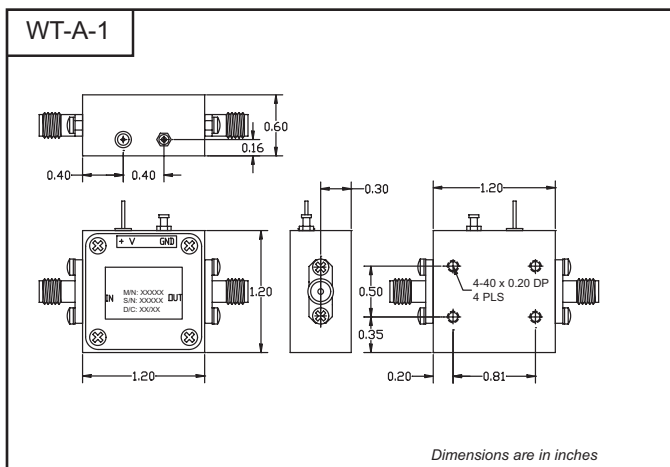
Specifications

- Frequency: 33.0 - 45.0 GHz
- Gain: 20 dB nominal
- Gain flatness: +/- 2.0 dB
- Noise figure: 3.5 dB (typ) / 5.0 dB (max)
- I/O VSWR: 2.0:1 (typ)
- DC bias: 8-12 V / 100 mA nominal
- I/O connectors: 2.4mm(F) or WR-22 with UG383/U flange
- Operating temperature: -40°C to +50°C

Features

- Broadband performance across entire Q-band
- Ultra-low noise with gain choice
- Single DC power supply/internal regulated sequential biasing
- Compact size and light weight
- Variable I/O interface options

Outline Drawings



All specifications are subject to change without notice.

For more information, contact our sales team at 310.513.7000 or rfsales@ducommun.com