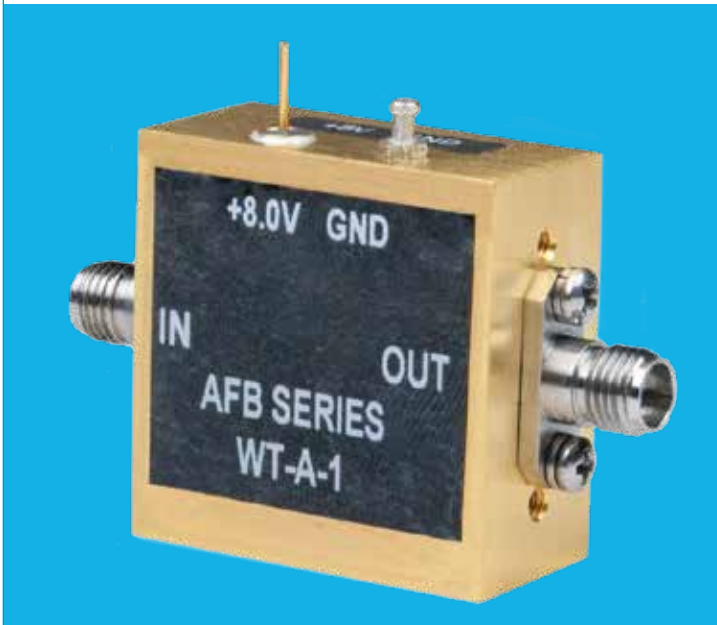


Full Waveguide Ka Band Low Noise Amplifier AFB-KA30LN-0X



The AFB series low noise amplifiers are constructed with MMIC PHEMT devices and provide state-of-the-art broadband performances.

Application

- Telecommunication
- Test instrumentation
- Transceiver subassemblies

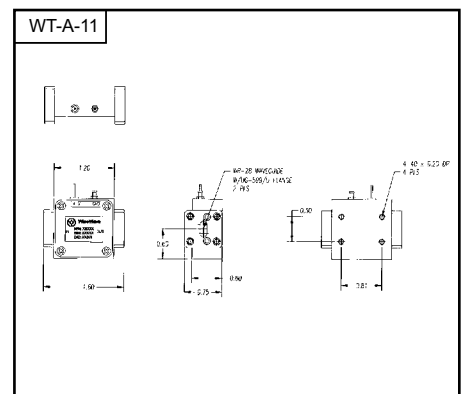
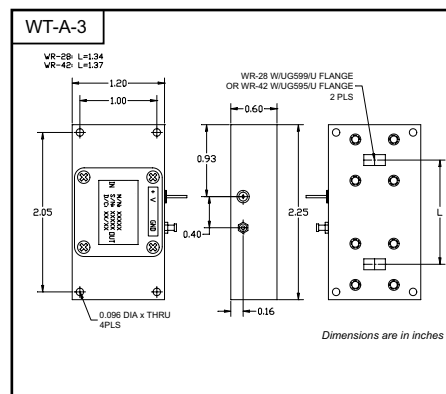
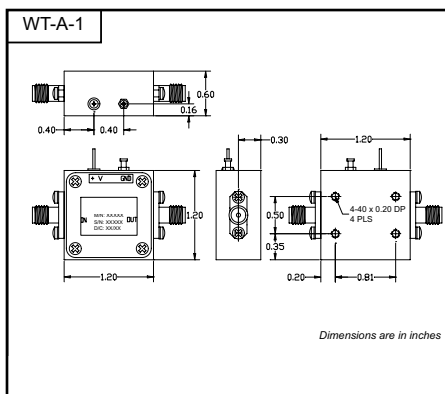
Specifications

- Frequency: 26.5 - 40.0 GHz
- Gain: 30 dB nominal
- Gain flatness: +/- 2 dB
- P1dB: 11 dBm (min)
- Noise figure: 2.0 dB (typ) / 4.0 dB (max)
- I/O VSWR: 2.0:1 (typ)
- DC bias: 8-12 V / 150 mA nominal
- I/O connectors: K(F) or WR-28 with UG599/U flange
- Operating temperature: -40°C to +50°C

Features

- Broadband performance across entire Ka band
- Ultra-low noise with gain choice
- Single DC power supply/internal regulated sequential biasing
- Compact size and light weight
- Variable I/O interface options

Outline Drawings



All specifications are subject to change without notice.

For more information, contact our sales team at 310.513.7200 or rfsales@ducommun.com