

# Long Life Coaxial Transfer Switch TEL / TELE Series



## Tel/Tele Transfer Switch

Ducommun offers a five-million cycle, long-life coaxial transfer switch series featuring SMA connectors and a frequency range of DC to 18 GHz or DC to 26.5 GHz.

TEL/TELE series are available with fail-safe, latching self cut-off, or pulse latching functions. TEL/TELE series are available with fail-safe function.

- Weight (max.): 6 oz
- RF impedance: 50 ohms nominal
- Operating temperature: -25°C to +65°C ambient
- Operating life: 5,000,000 cycles min.
- Switching sequence: Break-Before-Make

## Features

- High gain and wide bandwidth
- Low DC power consumption
- Single power, compact and light weight
- Wide operational temperature range

## Applications

- Test and measurement
- Communications
- Navigation systems

## Specifications

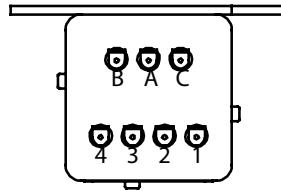
Frequency (GHz)	VSWR (max.)	Insertion Loss (dB max.)	Isolation (dB min.)
DC - 4	1.20	0.20	80
4 - 8	1.30	0.30	75
8 - 12	1.40	0.40	70
12 - 18	1.50	0.50	60
18 - 26.5	1.50	0.50	60

Actuator Current (typical)	12Vdc	15Vdc	24Vdc	28Vdc
Fail-safe	375 mA	300 mA	180 mA	170 mA
Latching	335 mA	270 mA	180 mA	165 mA
Pulse latching	470 mA	375 mA	250 mA	225 mA

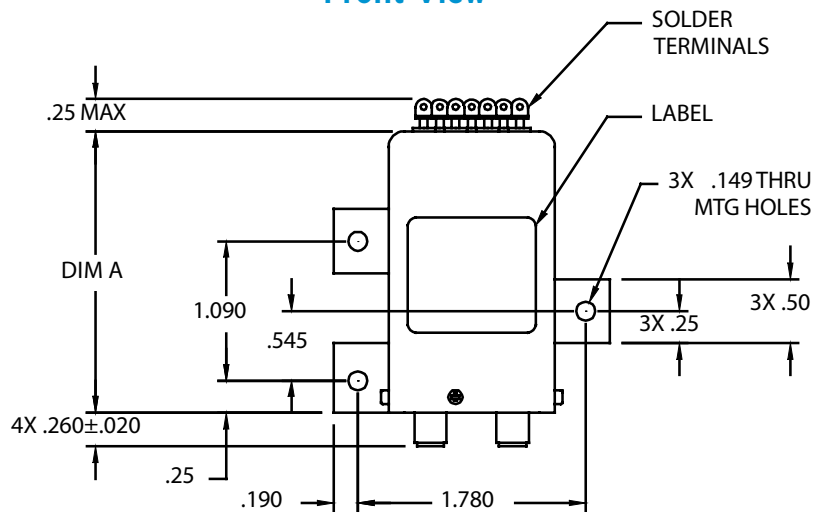
All specifications are subject to change without notice.

## OUTLINE DRAWINGS

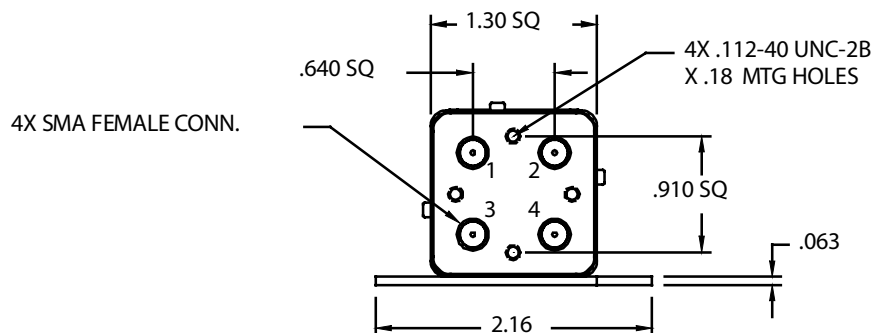
### Top View



### Front View



### Bottom View



All specifications are subject to change without notice.

For more information, contact our sales team at 310.513.7200 or [rfsales@ducommun.com](mailto:rfsales@ducommun.com)