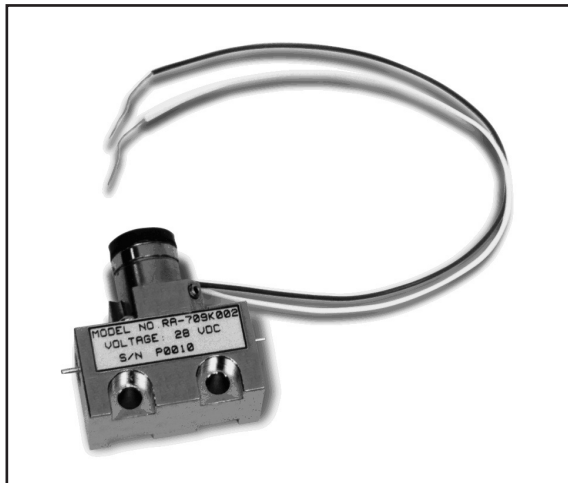
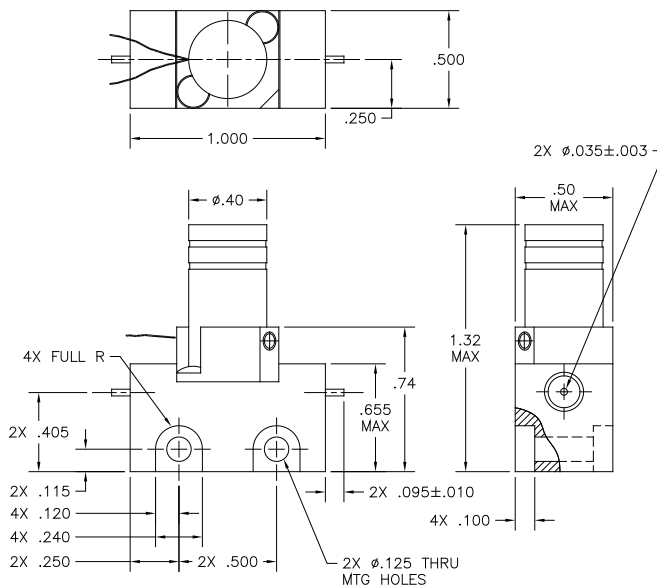


**RA SERIES**  
**MINIATURE 1P1T SWITCH**  
**DC-3 GHz ◆ SURFACE MOUNT**



The **RA Series** features compact, lightweight, surface mount, hot switching at a frequency of DC to 3 GHz.

**Weight:** 0.5oz  
**RF Impedance:** 50 ohms nominal  
**Temperature Range:** -35°C to +85°C ambient  
**Operating Life:** 1,000,000 cycles min.  
**Switching Time:** 12 mSec max.  
**Switching Sequence:** Break Before Make  
**Environmental:** Desinged to meet Mil-DTL-3928



**SPECIFICATIONS**

Frequency	VSWR (max.)	Insertion Loss (dB max.)	Isolation (dB min.)	Power Handling
DC-3 GHz	1.20	0.20	80	80 w cw

Actuator Current (typical)	24-30Vdc
Normally Open	87mA

**AVAILABLE OPTIONS**

OPTION 2 RF CONNECTORS	OPTION 4 VOLTAGE	OPTION 5 ACTUATOR	OPTION 6 FREQUENCY
7 - Special - PIN	3 - 24-30 Vdc	Normally Open	1 - DC to 3 GHz
OPTION 3 TERMINALS			OPTION 7 POLARITY
0 - Flying Leads		K - Standard	0 - Not Applicable

