

# Full Waveguide Ka Band Power Amplifier AFB-KA30HP-0X



The AFB series high power amplifiers are constructed with MMIC PHEMT devices and provide state-of-the-art broadband performances.

## Application

- Telecommunication
- Test instrumentation
- Transceiver subassemblies

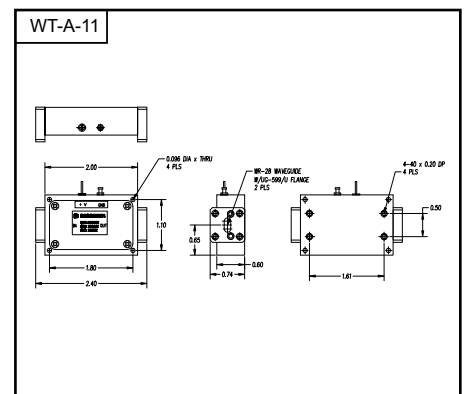
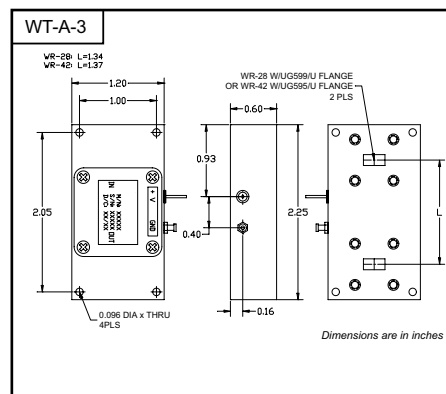
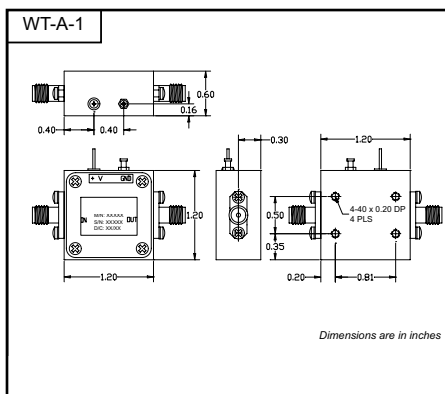
## Specifications

- Frequency: 26.5 - 40 GHz
- Gain: 30 dB nominal
- Gain flatness: +/- 2 dB
- Power P1: 20.0 dBm (typ) / 18.0 dBm (min)
- Noise figure: 6.0 dB (max)
- I/O VSWR: 2.0:1 (typ)
- DC bias: 8 - 12 V / 350 mA nominal
- I/O connectors: K(F) or WR-28 with UG599/U flange
- Operating temperature: -40°C to +50°C

## Features

- Super broadband performance with gain choice
- Offering high power across the entire Ka band
- Single DC power supply/internal regulated sequential biasing
- Compact size and light weight
- Variable I/O interface options

## Outline Drawings



All specifications are subject to change without notice.

For more information, contact our sales team at 310.513.7200 or [rfsales@ducommun.com](mailto:rfsales@ducommun.com)