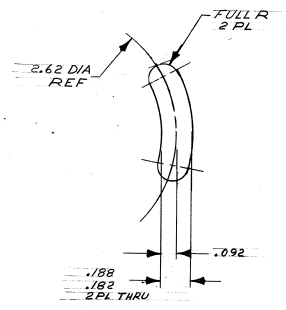
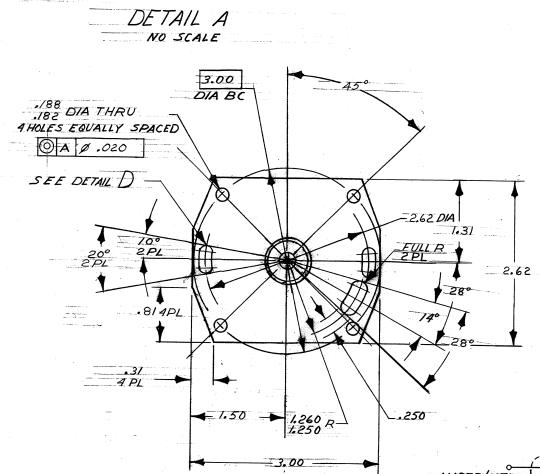
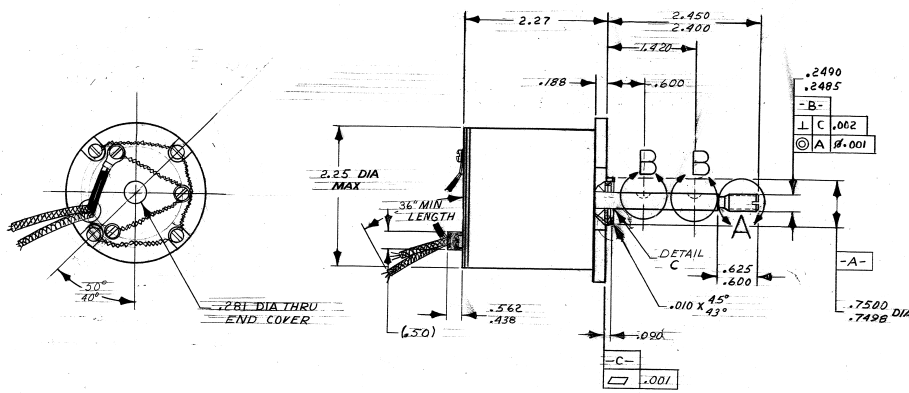


REVISIONS		DATE	APPROVED
A	REV PER ECO 32605	11/77	[Signature]
B	REV PER ECO 32721	3-4-80	[Signature]

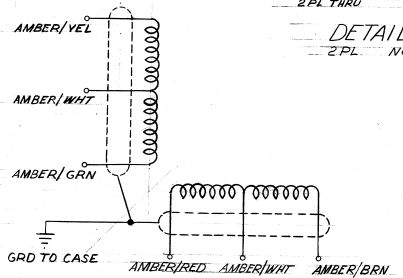


ELECTRICAL DATA

VOLTAGE (DC)	11.8 (REF)
INPUT POWER (WATTS MAX)	15 1/2 PHASE
RESISTANCE PER PHASE (OHMS)	22.5 ± 5%

GENERAL DATA

STEP ANGLE DEGREES	1.8
STEP RATE (REVERSIBLE) @ 440 MA/PHASE	0 TO 200 PPS
RUNNING TORQUE: DRIVE 1.9 LBS.-IN ² INERTIA LOAD	0-20 PPS
WITH 10.0Z IN FRICTION LOAD	
STALL TORQUE (OZ-IN)(MIN) @ 440 MA/PHASE	50
DETENT TORQUE (OZ-IN)(MIN)	4.0
ROTOR INERTIA (STEPPER MOTOR) (GM-CM ²)	215
SHAFT END PLAY CHECKED WITH A 16.0Z REVERSING	
AXIAL LOAD (MAX)	.0000
SHAFT END PLAY CHECKED WITH A 40.0Z REVERSING	
AXIAL LOAD (MIN)	.0001
SHAFT RUN OUT (MAX)	.001 IN/IN
TEMPERATURE RANGE (DEGREE "F")	-25.0 TO +175° OPERATING
WEIGHT (LBS)	-35 TO +125° NON-OPERATING
ALL VALUES ARE AT 800M AMBIENT UNLESS OTHERWISE SPECIFIED (22°C ± 5°C)	1.85 ± 1



SCHEMATIC DIAGRAM

SEQUENTIAL SWITCHING INFORMATION

FOR COUNTER-CLOCKWISE ROTATION AS VIEW FROM SHAFT END

STEP	YEL	GRN	RED	BRN	WHT/WHT
1	+	0	+	0	-
2	+	0	0	+	-
3	0	+	0	+	-
4	0	+	+	0	-
5	+	0	+	0	-

CONFIGURATION COPY

1. LEAD WIRE: TWISTED SHIELDED LEADS PER H.A.C. HMS2-1619/3 22 AWG SJ.
 2. GRD WIRE PER H.A.C. HMS2-1619 22 AWG, WITH SLEEVING, PER MIL-1-23023/18-002-C.

NOTES: UNLESS OTHERWISE SPECIFIED

QTY REQD	SYM	NOMENCLATURE OR DESCRIPTION	CODE IDENT NO.	PART OR IDENTIFYING NO.	SPECIFICATION	MATERIAL OR NOTE	ZONE	ITEM NO.
LIST OF MATERIAL								
UNLESS OTHERWISE SPECIFIED DIMENSIONS ARE IN INCHES				DRAWN D GREENWOOD DATE 9-20-77				
TOLERANCES: FRACTIONS DECIMALS ANGLES				CHECK M. ON DATE 9/26/79				
± .XX ± .02 ± 0°30'				ENGINEER [Signature] DATE 10/6/79				
XXX ± .010				APPROVED [Signature] DATE 11/17/79				
✓ ALL MACHINED SURFACES REF. USAS 98.1				APPROVED [Signature] DATE 11/17/79				
MATERIAL:				APPROVED [Signature] DATE 11/17/79				
FINISH:				APPROVED [Signature] DATE 11/17/79				
NEXT ASSY		USED ON		NEXT ASSY		PART ASSY		REV
APPLICATION		QTY REQD		SIZE		CODE IDENT NO.		DWG NO.
				D		89321		307A3
				SCALE		REPLACES		SHEET 1 OF 1
				SIMILAR TO		W.O. NO. 58572-01		

AEI AMERICAN ELECTRONICS, INC.
 1800 E. VALENCIA DRIVE, FULLERTON, CALIF.

STEPPER MOTOR OUTLINE

307A3