

2EL/2ELE Series

5,000,000 Cycle SPDT Switch
SMA connectors

RF Products Group
Released, 17 September 10



The **2EL Series** features SMA connectors and a frequency range of DC to 18 GHz.

The **2ELE Series** also features SMA connectors and a frequency range of DC to 26.5 GHz.

Both series are available with failsafe and latching self cut-off options

Weight (max):	2.1 oz
RF Impedance:	50 ohms nominal
Operating Temperature (failsafe):	-55° C to +85° C ambient
Operating Temperature (latching):	-25° C to +85° C ambient
Operating Life:	5,000,000 cycles typical (3,000,000 min)
Switching Sequence:	Break before Make

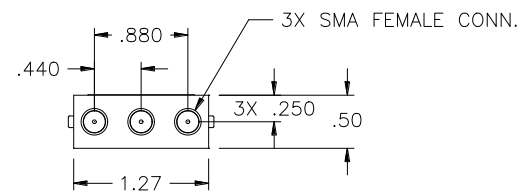
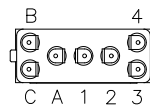
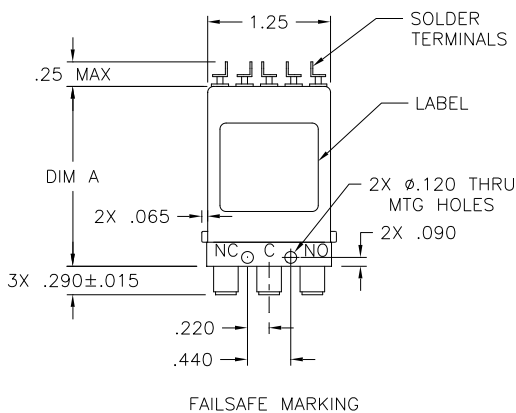
SPECIFICATIONS

Frequency	VSWR (max.)	Insertion Loss (dB max.)	Isolation (dB min.)
DC-4 GHz	1.25	0.20	80
4-8 GHz	1.25	0.25	75
8-12 GHz	1.30	0.30	70
12-18 GHz	1.35	0.40	60
18-26.5 GHz●	1.50	0.50	50

Actuator Current (typical)	12Vdc	15 Vdc	24 Vdc	28Vdc
Failsafe	300mA	240mA	150mA	135mA
Latching	200mA	155mA	100mA	95mA

* If reduced coil current is required, please contact Factory.

Position	NO	NC	Latching
Switching Time - mSec (max)	15	35	20



AVAILABLE OPTIONS*	OUTLINE DRAWING DIMENSION "A"
A, B, C	1.25
D	1.50
E, EH, F, FH	1.83
J, JH, K, KH	1.83
G, H, V, W	1.83
T, U	1.25

* Consult factory for Dimension "A" when multi pin connector is desired.