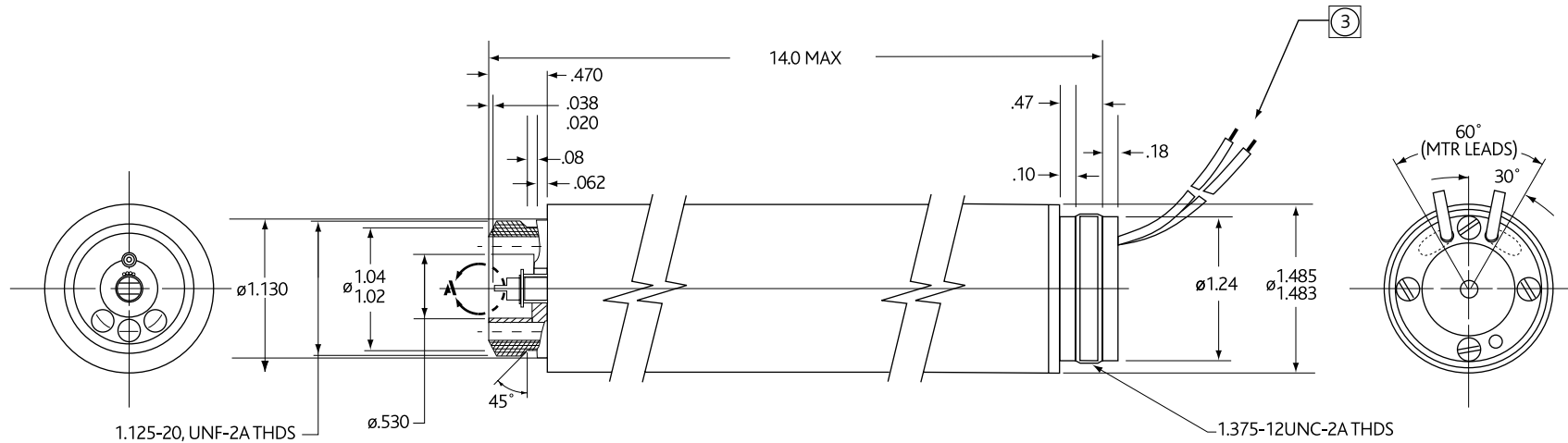
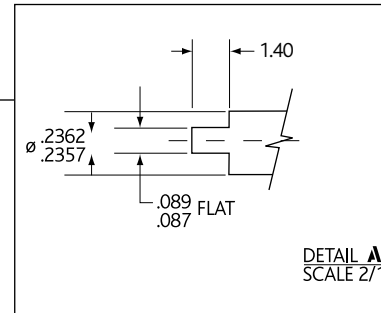


15HG4

AC INDUCTION MOTOR FOR DOWN HOLE APPLICATIONS



- ③ LEADWIRES: 24 AWG PER MIL-W-16878/4, COLORS AS SHOWN
LEADWIRES TO BE 15.0" MIN LENGTH FROM REAR OF MOTOR.
- 2. GEAR RATIO DRIVE MOTOR GEAR HEAD 1.8429 TO 1.
- ① THESE VALUES MEASURED AT OUTPUT SHAFT OF GEAR HEAD.



ELECTRICAL AND PERFORMANCE DATA (ROOM AMBIENT)

NUMBER OF PHASES.....	1
LINE VOLTAGE(V _{RMS} ±5).....	250
LINE FREQUENCY (Hz±1).....	120
LINE VOLTAGE WAVE SHAPE	SINUSOIDAL
LINE VOLTAGE TOTAL HARMONICS DISTORTION (%MAX).....	8
RUNNING TORQUE LOAD(OZ-IN)①	17.5
SHAFT SPEED AT RUNNING TORQUE (RPM, MIN)①.....	3520
LINE CURRENT AT RUNNING TORQUE (AMPS, MAX)	0.5
LINE INPUT POWER AT RUNNING TORQUE (WATTS, MAX)	130
STARTING TORQUE (OZ-IN, MIN)①.....	8
LINE CURRENT AT START (AMPS, MAX).....	1.0
LINE INPUT POWER AT START (WATTS, MAX).....	250

GENERAL DATA

UNIT IS DESIGNED TO OPERATE WHILE IMMERSED IN HYDRAULIC OIL PRESSURIZED UP TO 20,000 PSI WITH MAX OIL TEMPERATURE OF 200° C.

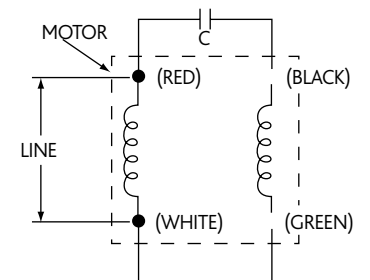
LIFE EXPECTANCY:

100 HOURS MIN OF TOTAL OPERATING TIME AT THE ABOVE CONDITIONS.

DUTY CYCLE:

CONTINUOUS OPERATION, 10 MINUTES MAX "ON" FOLLOWED BY 15 MINUTES MIN "OFF" INTERVALS

Circuit Diagram



C: CAPACITOR (NOT SUPPLIED WITH UNIT)
1.2MFD ±5%, 600 VAC, 120 Hz

MOTOR ROTATION: CONNECTIONS ARE FOR CW ROTATION AS VIEWED FROM SHAFT END. FOR CCW ROTATION INTERCHANGE BLACK AND GREEN LEADWIRES