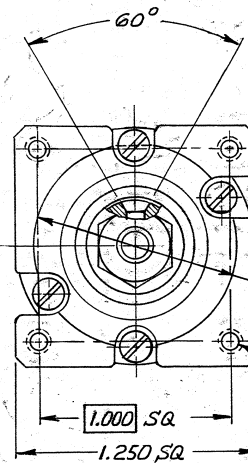
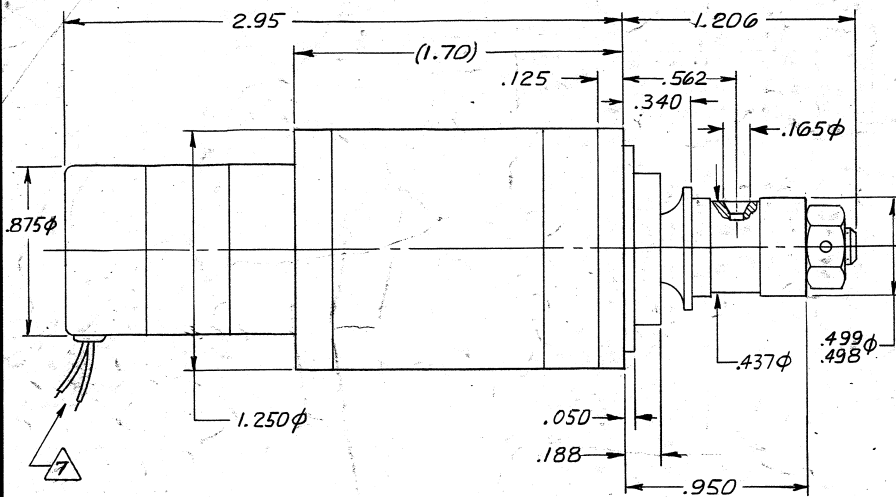


4

3

2

1



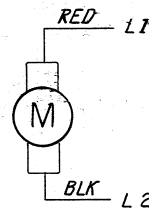
REVISIONS				
ZONE	LTR	DESCRIPTION	DATE	APPROVED
A		REV PER ECO 32565	2/18/79	<i>[Signature]</i>
B		REV PER ECO 34465	2/27/87	M.J.
C		REV PER ECO 34757	10/25/88	M.J.
D		REV PER ECO 36224	9/6/09/10	M.J.
E		REVISED PER ECO 36448	TM 8/8/05/16	<i>[Signature]</i>

1.0625φ  
1.0615φ  
-A-

.112-40 INSERT  
MS21209-C0410L  
4 PLACES

⊕Aφ.D10

PERFORMANCE CHART @ 25°C							
VDC	TORQUE IN-OZ		RPM			AMPS	
	MIN	NOM	MIN	NOM	MAX	NOM	MAX
14	- NO LOAD -			1.92		.070	.110
		300		1.70		.150	
2000			- STALL -				.720
THRESHOLD VOLTAGE @ NO LOAD 4.0 V DC							



CONNECTION FOR CW  
ROTATION FACING SHAFT

7. LEADWIRE: 26 AWG EXTRUDED TEFLON PER MIL-W-16878/4, TYPE E, SILVER PLATED HIGH STRENGTH COPPER CONDUCTOR 30 IN. MIN. LONG FROM POINT OF EXIT.

6. HUMIDITY: 0 TO 100% IN AIR.

5. PRESSURE 14 PSI TO  $1 \times 10^{-10}$  TORR ( $1 \times 10^{-5}$  TORR IS ACCEPTABLE FOR TEST).

4. TEMPERATURE RANGE:

OPERATING, IN VACUUM -65°F TO 200°F.

OPERATING, IN DRY AIR -65°F TO 160°F.

NON OPERATING, IN VACUUM -150°F TO 200°F.

NON OPERATING, IN DRY AIR -65°F TO 160°F.

3. STALL POWER INPUT 10 WATT MAXIMUM.

2. DETENT TORQUE 1,200 IN.-OZ MINIMUM.

MAXIMUM RATED OUTPUT TORQUE 1,100 IN.-OZ.

LESS OTHERWISE SPECIFIED,

QTY REQD	SYM	NOMENCLATURE OR DESCRIPTION	CODE IDENT NO.	PART OR IDENTIFYING NO.	SPECIFICATION	MATERIAL OR NOTE	ZONE	ITEM NO.
LIST OF MATERIAL								
UNLESS OTHERWISE SPECIFIED DIMENSIONS ARE IN INCHES TOLERANCES:				CONTRACT NO.				
FRACTIONS DECIMALS ANGLES				DRAWN <i>S. POWLEY</i> DATE 2-13-79				
± .XX ± .03 ± 0°30'				CHECK <i>[Signature]</i> 2-14-79				
.XXX ± .010				ENGINEER <i>[Signature]</i> 2/14/79				
ALL MACHINED SURFACES REF. USAS B46.1				APPROVED				
MATERIAL:				APPROVED				
FINISH:				APPROVED <i>[Signature]</i> 2/14/79				
NEXT ASSY		USED ON		NEXT ASSY		FINAL ASSY		REV
APPLICATION				QTY REQD		SIZE CODE IDENT NO. DWG NO.		E
						C 89321 13 DG 85		E
						SCALE 2:1		SHEET 1 OF 1

**AEI** AMERICAN ELECTRONICS, INC.  
T.M. 1600 E. VALENCIA DRIVE, FULLERTON, CALIF.

TITLE  
**D.C. GEARED MOTOR**  
RATIO 4165:1  
CONFIGURATION COPY

SIZE CODE IDENT NO. DWG NO.

C 89321 13 DG 85

REPLACES

W.O. NO. 52149-01

13 DG 85 E

B

A

SIMILAR TO