

4

3

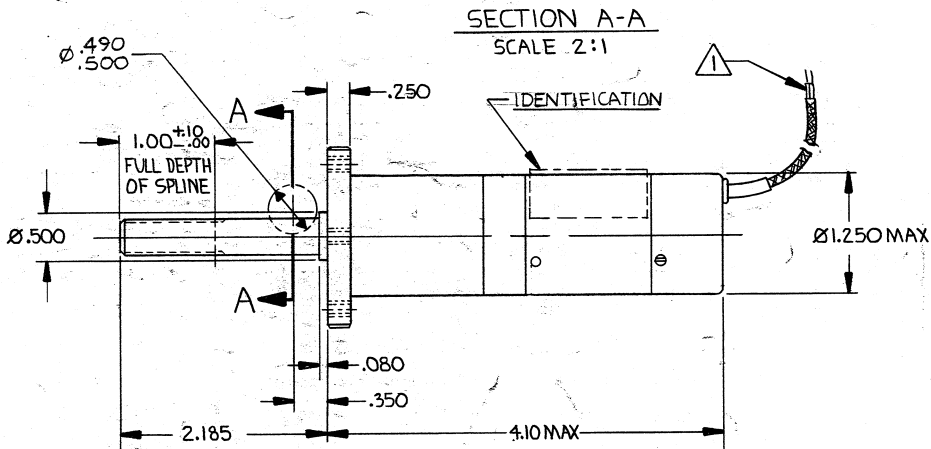
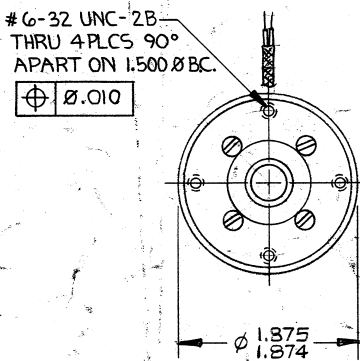
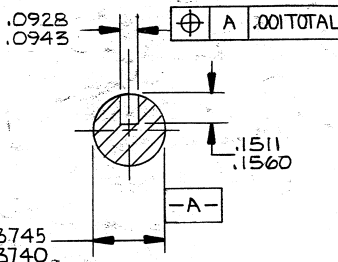
2

1

INTERNAL INVOLUTE SPLINE DATA
FLAT ROOT SIDE FIT

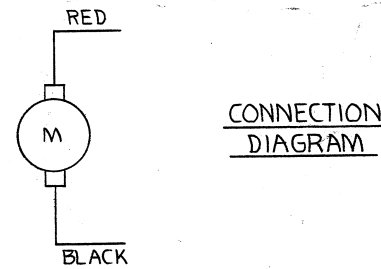
11 TOOTH 32/64 DP SPLINE
30° FLAT ROOT SIDE FIT PER
SAE J4986 (ANSI B92.1)

ZONE		LTR	DESCRIPTION	DATE	APPROVED
NC			PRODUCTION RELEASE	9/10/87	<i>[Signature]</i>
A			REV'D PER ECO 34622	11/18/87	<i>[Signature]</i>
B			REV'D PER ECO 34661	TM 1-26-88	<i>[Signature]</i>



VDC	TORQUE IN-OZ		RPM			AMPS	
	MIN	MAX	MIN	NOM	MAX	MIN	MAX
28	NO LOAD		(40.0)	44.3		.050	.135
	180		30			.300	.450
	900	1200	STALL			2.0	2.50

COMBINED FRICTION AND DETENT TORQUE 60-120 OZ-IN AVERAGE AT GEARHEAD OUTPUT SHAFT



- SHAFT RADIAL PLAY SHALL NOT EXCEED .002 MAX. WHEN MEASURED NO MORE THAN .25" FROM FLANGE UNDER A 2 LB ± .5 REVERSING LOAD APPLIED NOT MORE THAN .375 FROM FLANGE.
- SHAFT END PLAY SHALL NOT EXCEED .001 UNDER A 16 OZ ± 1 OZ REVERSING LOAD.
- ENVIRONMENT'S:
 - HUMIDITY: UP TO 60% NON OPERATING. VACUUM OR INERT GAS DURING OPERATION.
 - TEMPERATURE RANGE:
 - NON OPERATING -58°F TO 158°F
 - OPERATING -4°F TO 158°F
 - PRESSURE:
 - 760 TORR MAXIMUM TO 10⁻¹⁰ TORR MINIMUM.

LEADWIRES PER MIL-W-16878/4, TYPE E, 22 GA., SHIELDED WITH TUBULAR BRAID PER QQ-B-575. LEAD LENGTH 12 IN. MINIMUM.

UNLESS OTHERWISE SPECIFIED

QTY RECD	SYM	NOMENCLATURE OR DESCRIPTION	CODE IDENT NO.	PART OR IDENTIFYING NO.	SPECIFICATION	MATERIAL OR NOTE	ZONE	ITEM NO.
LIST OF MATERIAL								
UNLESS OTHERWISE SPECIFIED DIMENSIONS ARE IN INCHES TOLERANCES: FRACTIONS DECIMALS ANGLES ± 1/64 .XX ± .01 ± 2° .XXX ± .005				DRAWN <i>M. J. GOMEZ</i> DATE 6/12/87		 TITLE D.C. MOTOR - GEARED RATIO 112.73 : 1		
ALL MACHINED SURFACES REF. USAS B46.1				CHECK <i>[Signature]</i> 8-31-87				
MATERIAL:				ENGINEER <i>[Signature]</i> 9/1/87				
FINISH:				APPROVED <i>[Signature]</i> 9/8/87				
NEXT ASSY USED ON NEXT ASSY FINAL ASSY				APPROVED <i>[Signature]</i> 9/6/87		SIZE CODE IDENT NO. DWG NO.		REV
APPLICATION QTY RECD				APPROVED <i>[Signature]</i>		C 89321 13DG94		B
						SCALE FULL		SHEET 1 OF 1

SIMILAR TO

REPLACES

W.O. NO.

13DG94 B

A